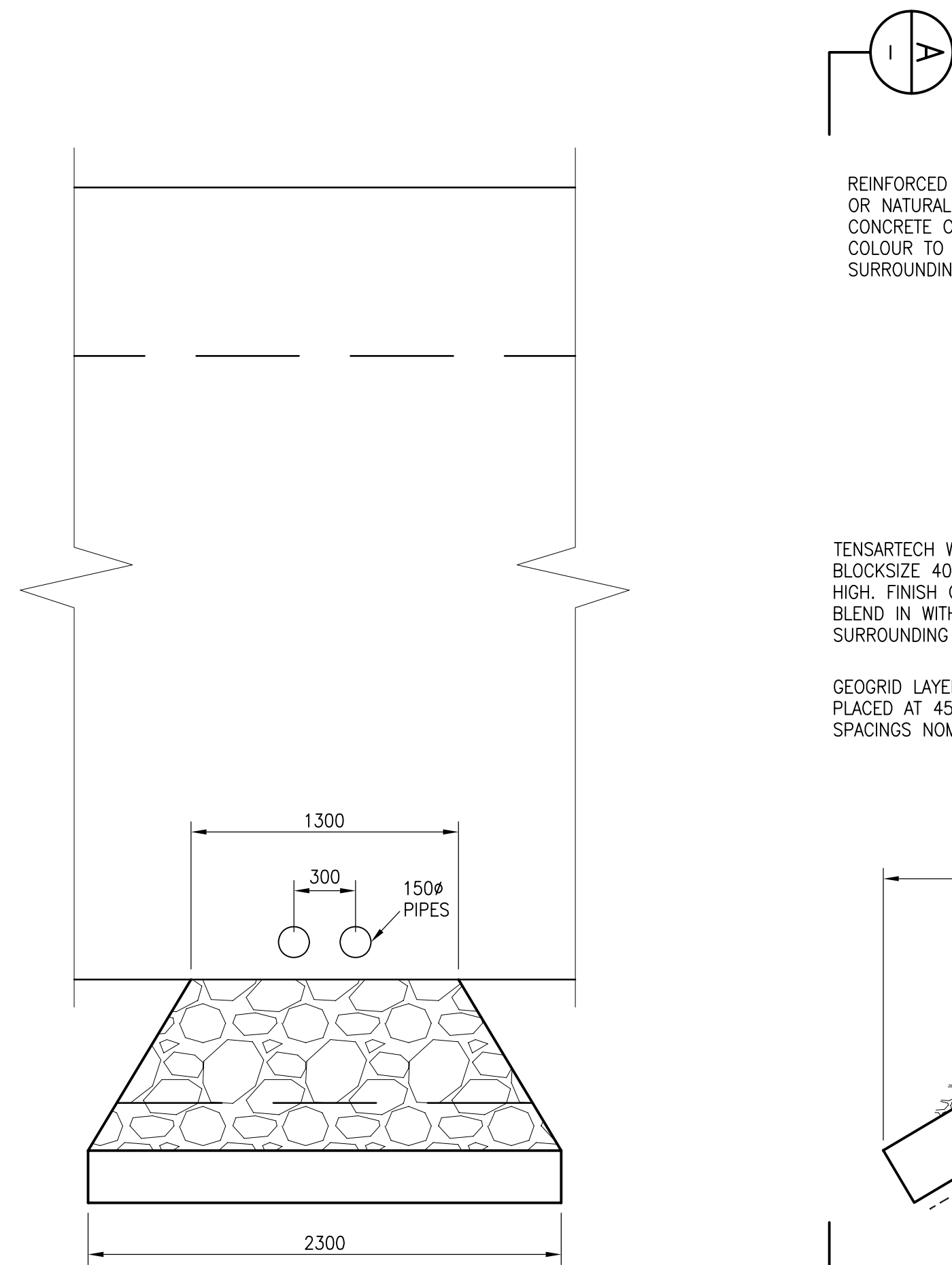


DO NOT SCALE

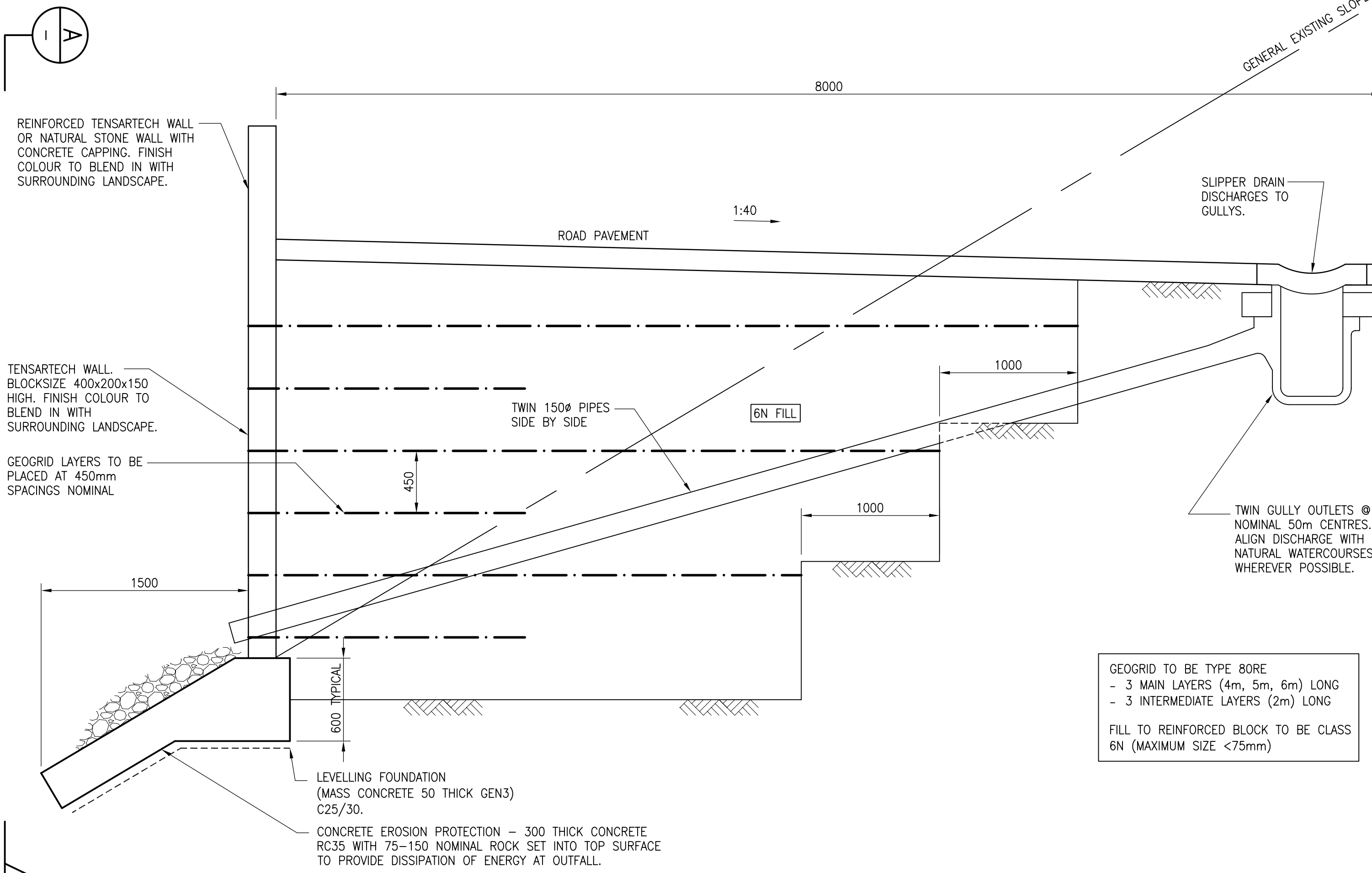
COMMERCIAL IN CONFIDENCE

NOTES:

- DIMENSIONS ARE IN MILLIMETERS UNLESS OTHERWISE STATED.
  - REFERENCE DESIGN DRAWINGS TO BE READ IN CONJUNCTION WITH EMPLOYER'S REQUIREMENTS AND REFERENCE DESIGN SPECIFICATIONS.
  - CO-ORDINATES ARE TO ST HELENA LOCAL GRID.
  - LAND LEVELS ARE IN METRES RELATIVE TO MEAN SEA LEVEL.
  - SPECIFIED PRODUCTS SHALL BE OR EQUAL APPROVED.
  - CONCRETE GRADES TO BS8500. REINFORCED CONCRETE GRADE: RC40. FOUNDATIONS GRADE: RC35. MASS CONCRETE GRADE: GEN3. BLINDING CONCRETE GRADE: GEN1.
  - GULLY GRATINGS SHALL BE AS SAINT GOBAIN HIGHWAY PRODUCTS OR EQUAL LISTED BELOW.
- ADJACENT KERBS:  
WATERFLOW C250 400x432 LIST No. HP-897-1 WITH MINIMUM WATERWAY AREA 1128cm. HA102 REF 'R'
- IN PAVED AREAS (AWAY FROM KERBS)  
AQUAFALL D400 440x410 LIST No. C5803 WITH MINIMUM WATERWAY AREA 1220cm. HA102 REF 'Q'.
- CLASS 0 BEDDING AROUND PIPE IS REQUIRED WHERE PIPE HAS LESS THAN 1.2m COVER FROM FINISHED SURFACE LEVEL.
  - REMOVE ANY SOFT SPOTS AND REPLACE WITH SUB-BASE WELL COMPACTED IN LAYERS.
  - CHANNEL DISCHARGE POINTS ARE TO BE 160# ON TRAPPED RODDABLE OUTLETS AT THE LOCATIONS SHOWN ON THE PLAN LAYOUTS.
  - GENERALLY THE DEEPEST STANDARD SLOPING CHANNEL UNITS HAVE BEEN USED TO ALLOW ADDITIONAL STORAGE IN THE SYSTEM AND THESE ACO CHANNEL UNIT REFERENCE NUMBERS HAVE BEEN SHOWN ON THE PLAN LAYOUTS.
  - DEPTH OF COVER TO PIPES IS TO BE 1200 MIN IN TRAFFICKED AREAS AND 700 MIN ELSEWHERE.

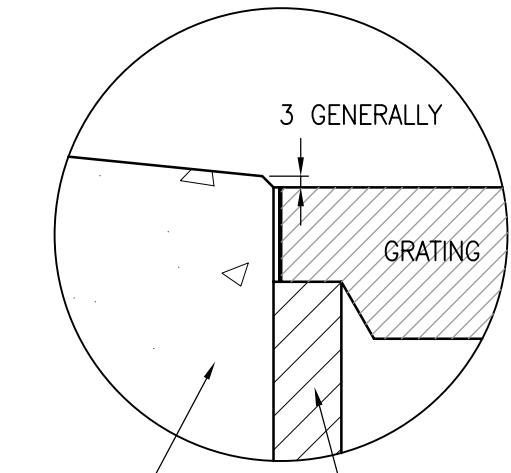


ELEVATION Scale 1:25

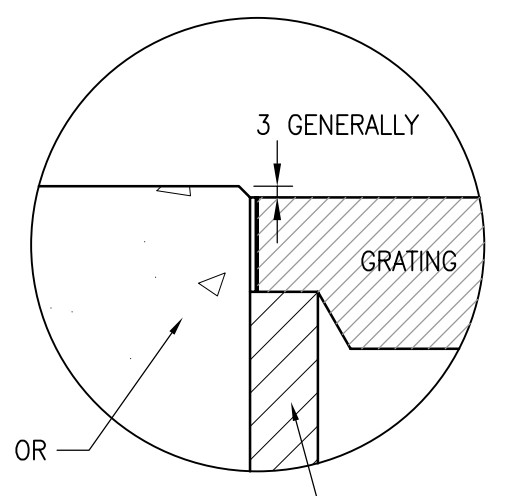


TYPICAL DETAIL OF RETAINMENT WALL - RUPERTS BAY ASCENT ACCESS ROAD Scale 1:25

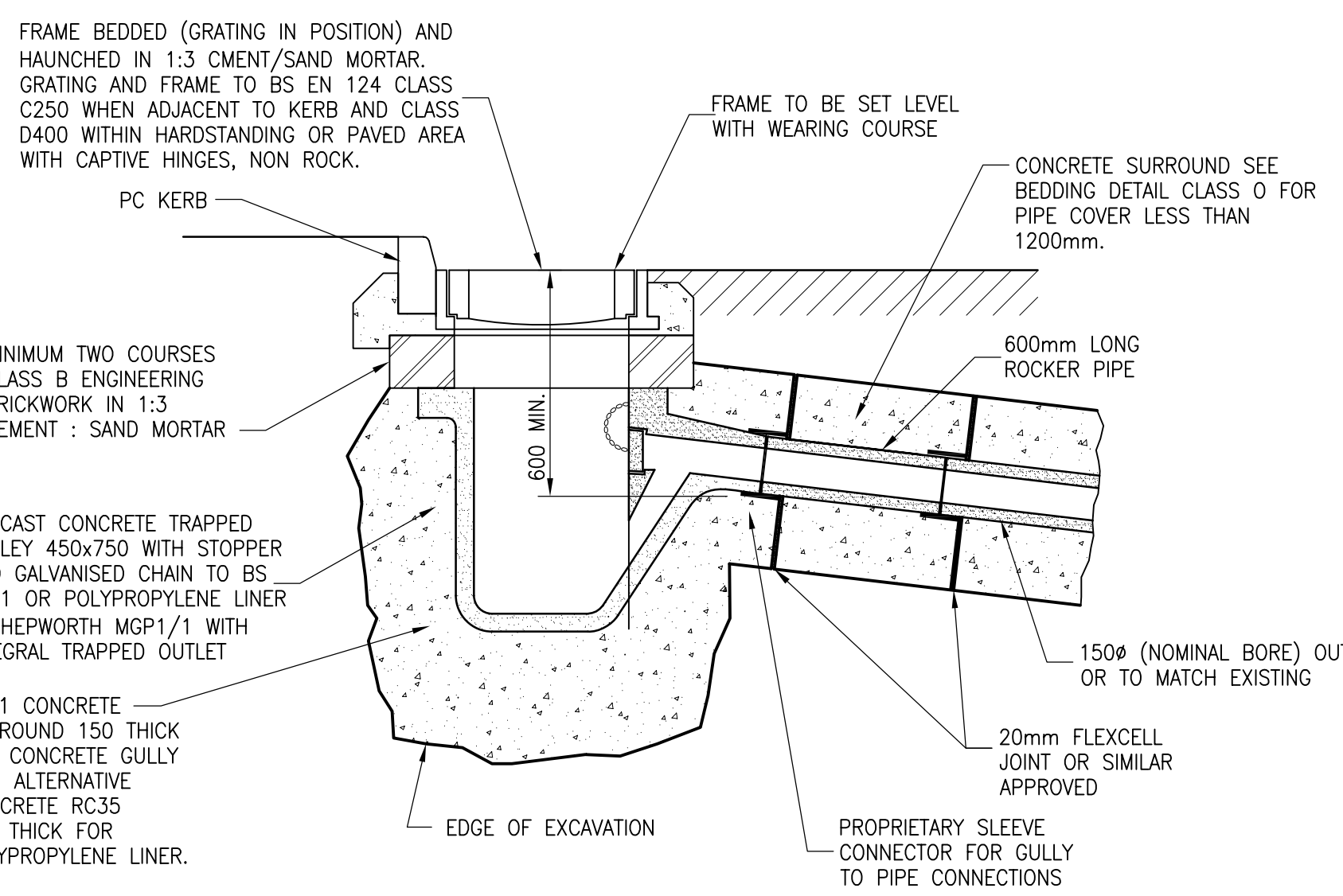
GEOGRID TO BE TYPE 80RE  
- 3 MAIN LAYERS (4m, 5m, 6m) LONG  
- 3 INTERMEDIATE LAYERS (2m) LONG  
FILL TO REINFORCED BLOCK TO BE CLASS 6N (MAXIMUM SIZE <75mm)



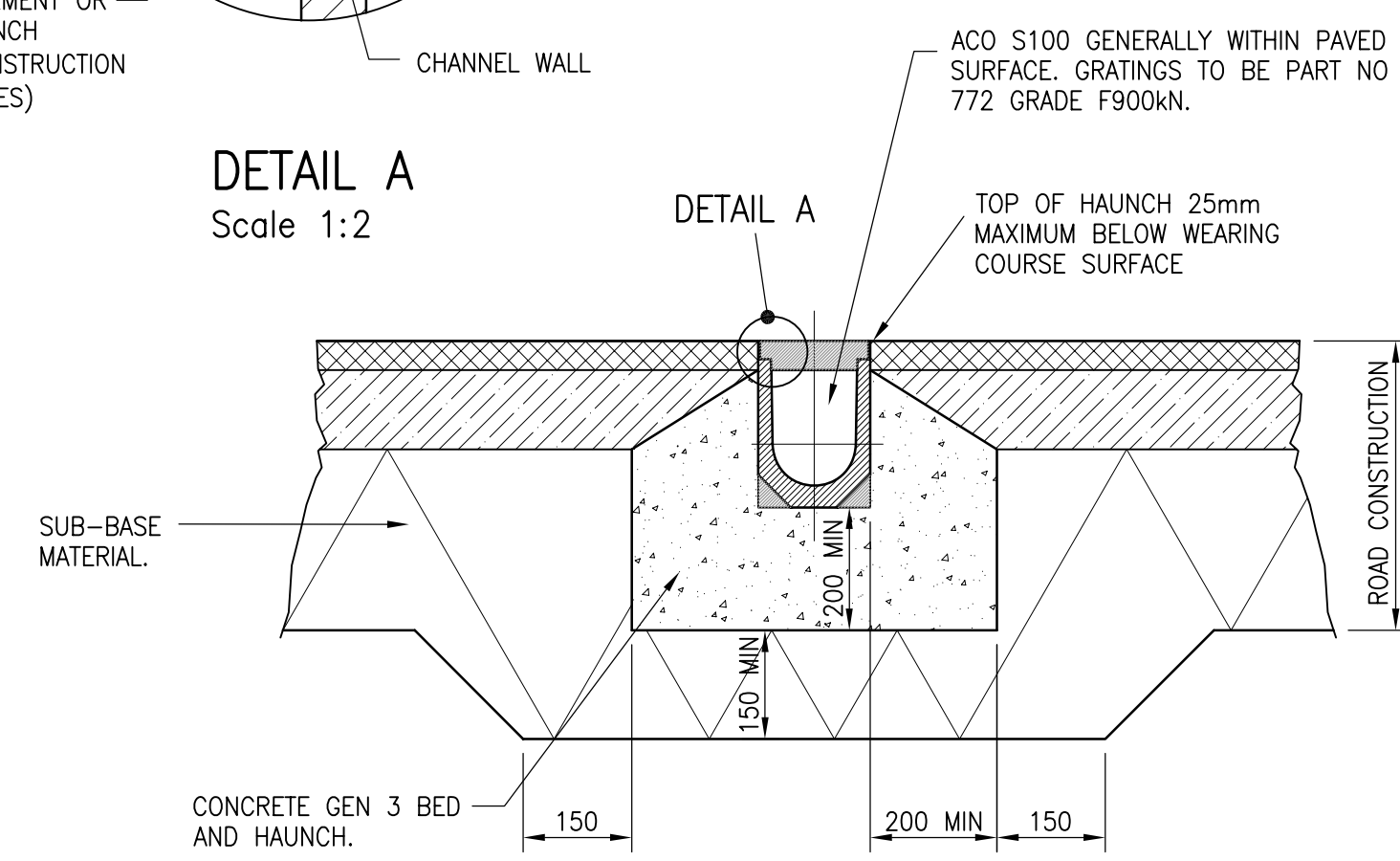
DETAIL B Scale 1:2



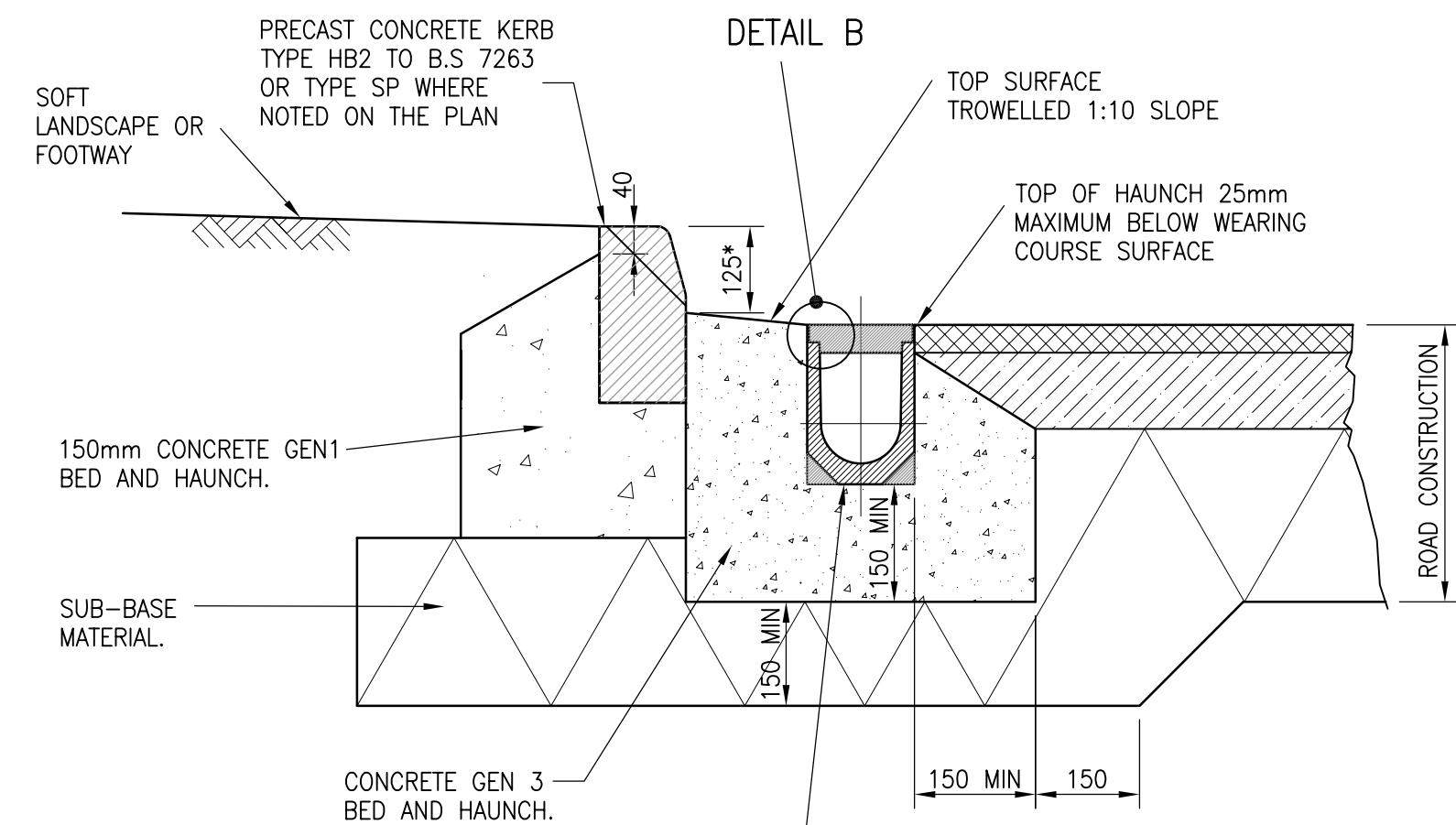
DETAIL A Scale 1:2



TYPICAL ROAD GULLY DETAIL Scale 1:20



ACO DRAIN ACROSS TARMAC TERMINAL PAVMENT Scale 1:10



ACO DRAIN AT EDGE OF TERMINAL PAVEMENT Scale 1:10



Rev.	Description	By	Date	Chk'd	Auth

Code	Purpose of issue	Rev	Date	Authorised

Client				
<b>DFID</b>				
Consultant				
<b>Atkins Limited</b> Consulting Engineers, Woodcote Grove, Ashley Road, Epsom, Surrey, England, KT18 5BW				
<b>ATKINS</b> www: http://www.atkinsglobal.com Fax (01372) 740055 Tel. (01372) 726140				
Project				
<b>St Helena Reference Design</b>				
Title				
Details Sheet 2 - Road				
Scale at A1	Drawn	Checked	Authorised	Status
As Shown	BnH	-	RDJ	T
Drawing Number	Date	Date	Date	Rev
5048976 - CI - 01 - 2061	16.1.07	-	19.1.07	B