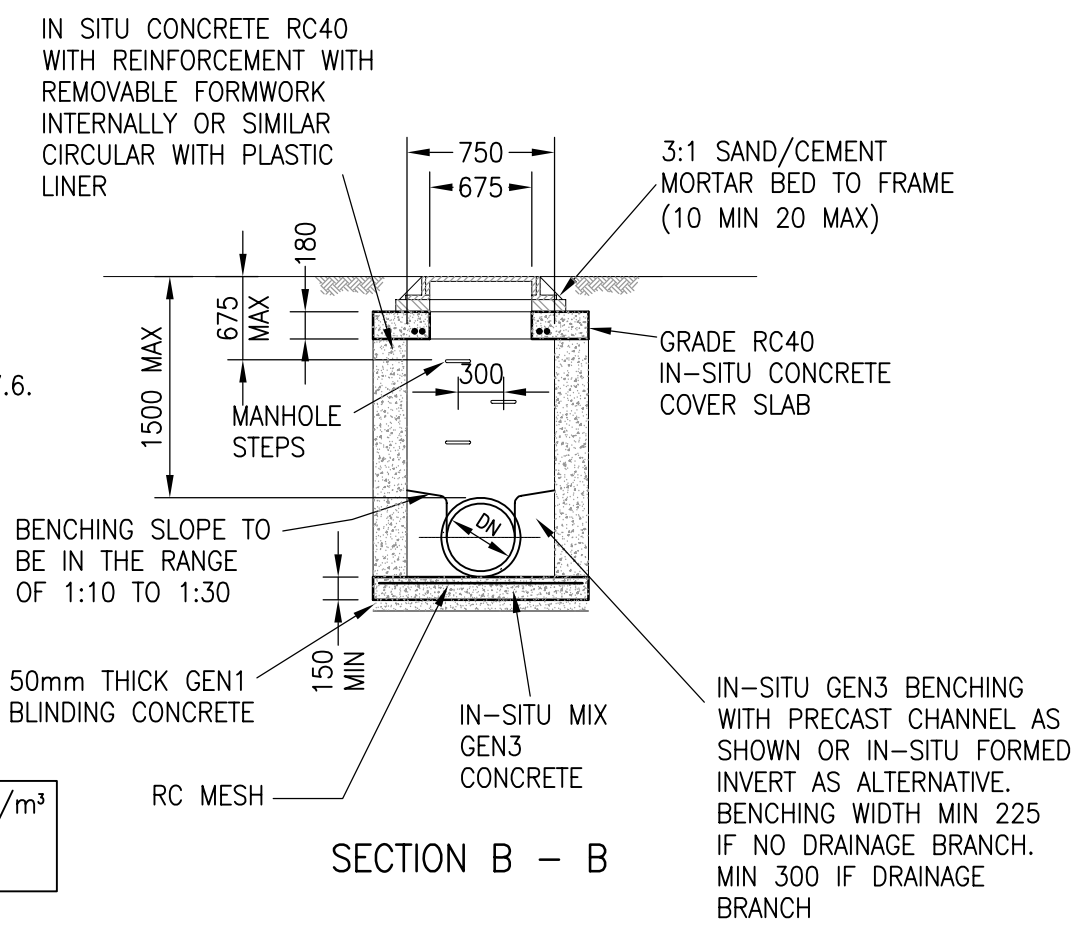
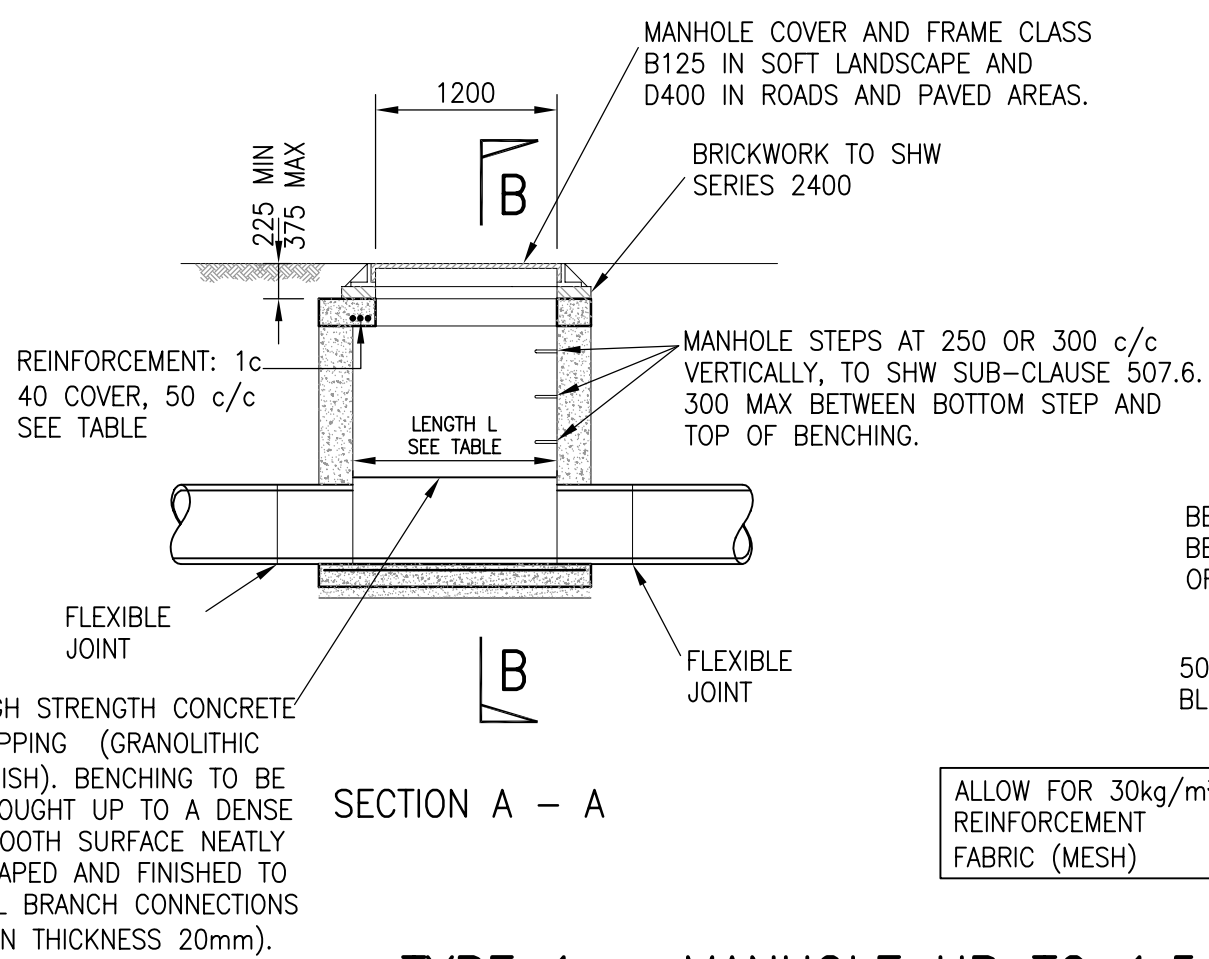
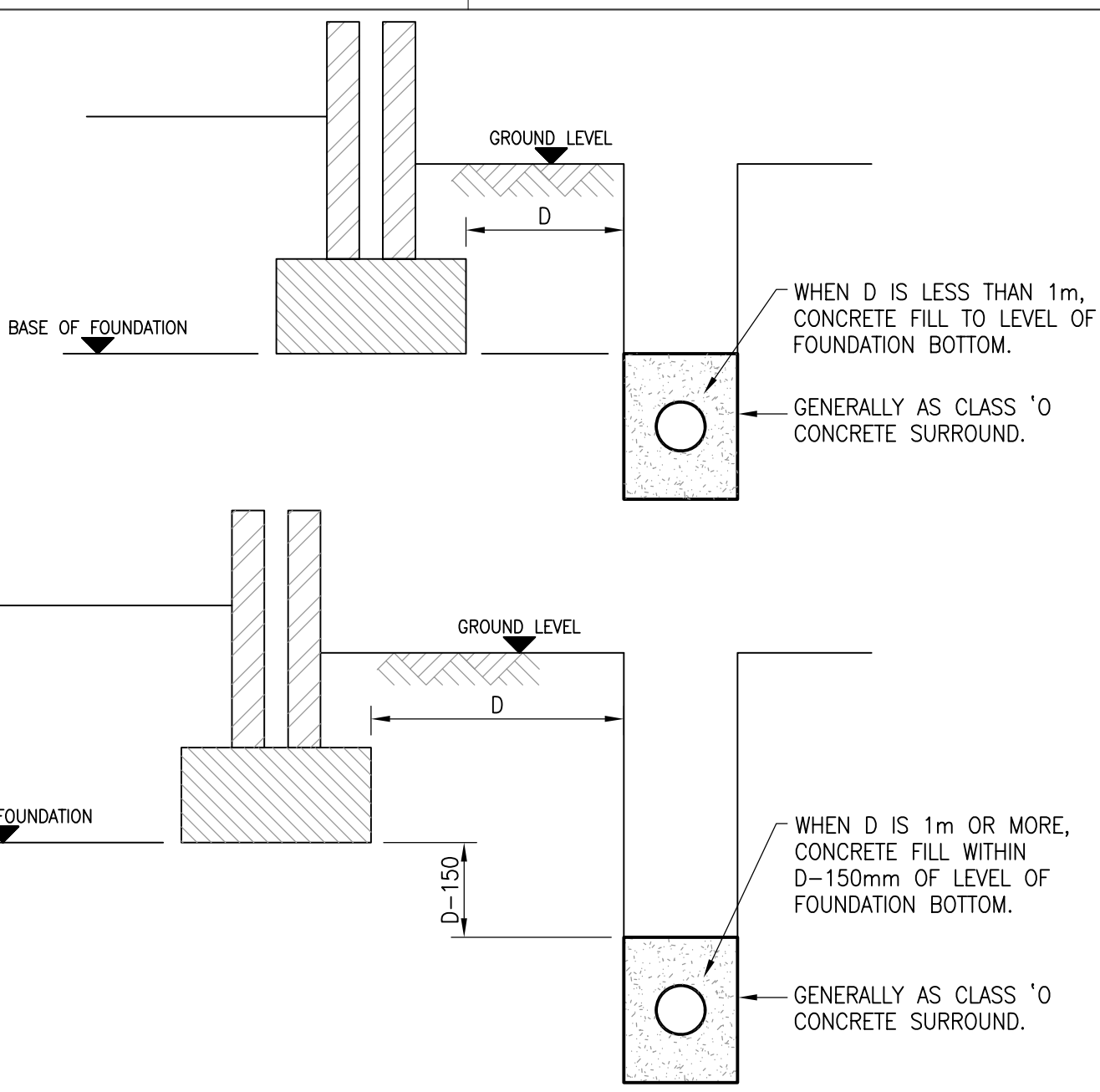


CHAMBER SUB-TYPE				
SUB-TYPE	LENGTH L	WIDTH W	MAXIMUM PIPE DN	REINFORCEMENT T20 BARS AT 50 c/c
1a	1200	750	225	2 BARS 1550 LONG
1b	1200	825	300	4 BARS 1550 LONG
1c	1350	975	450	6 BARS 1550 LONG 3 BARS 1325 LONG

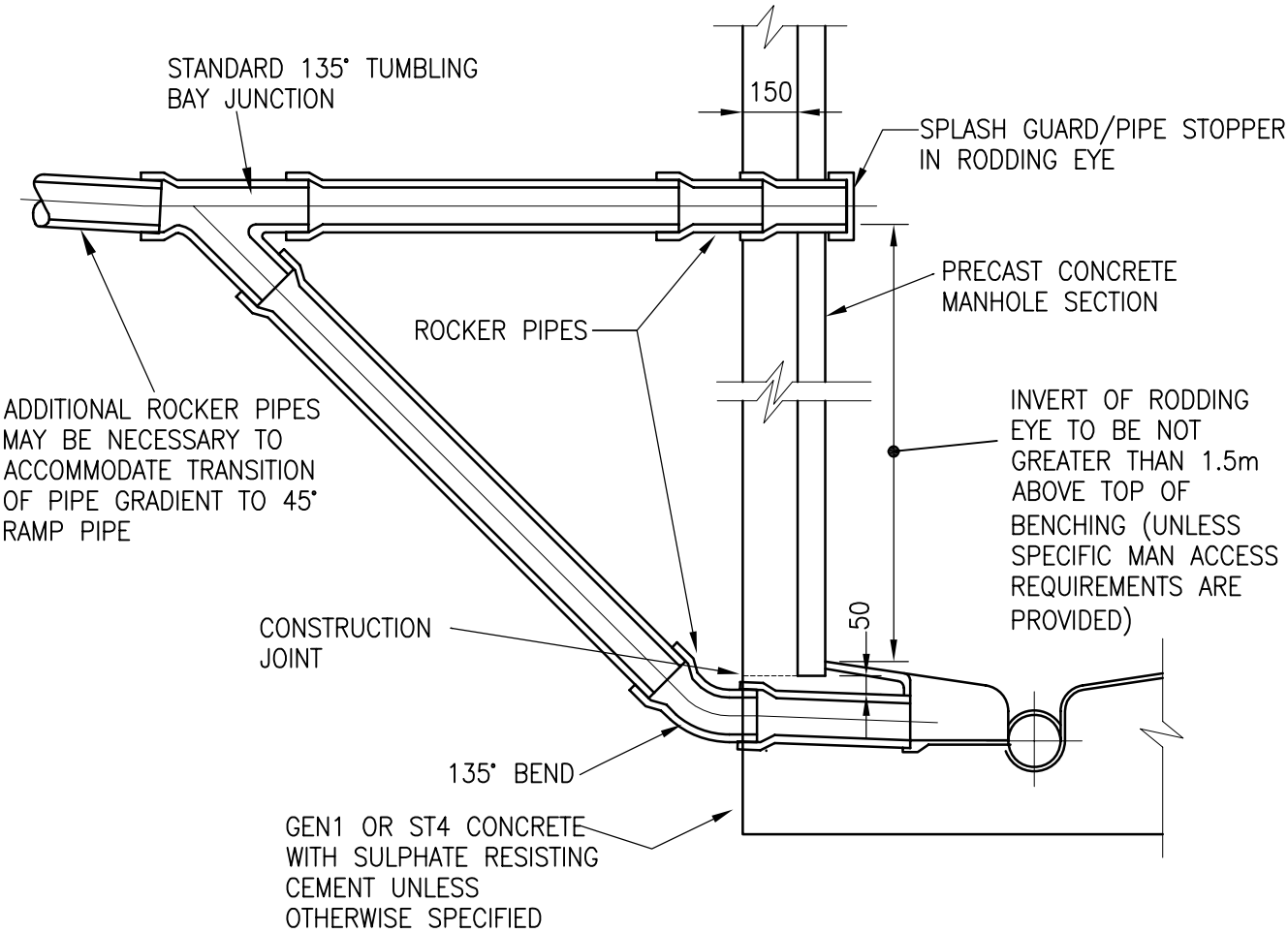
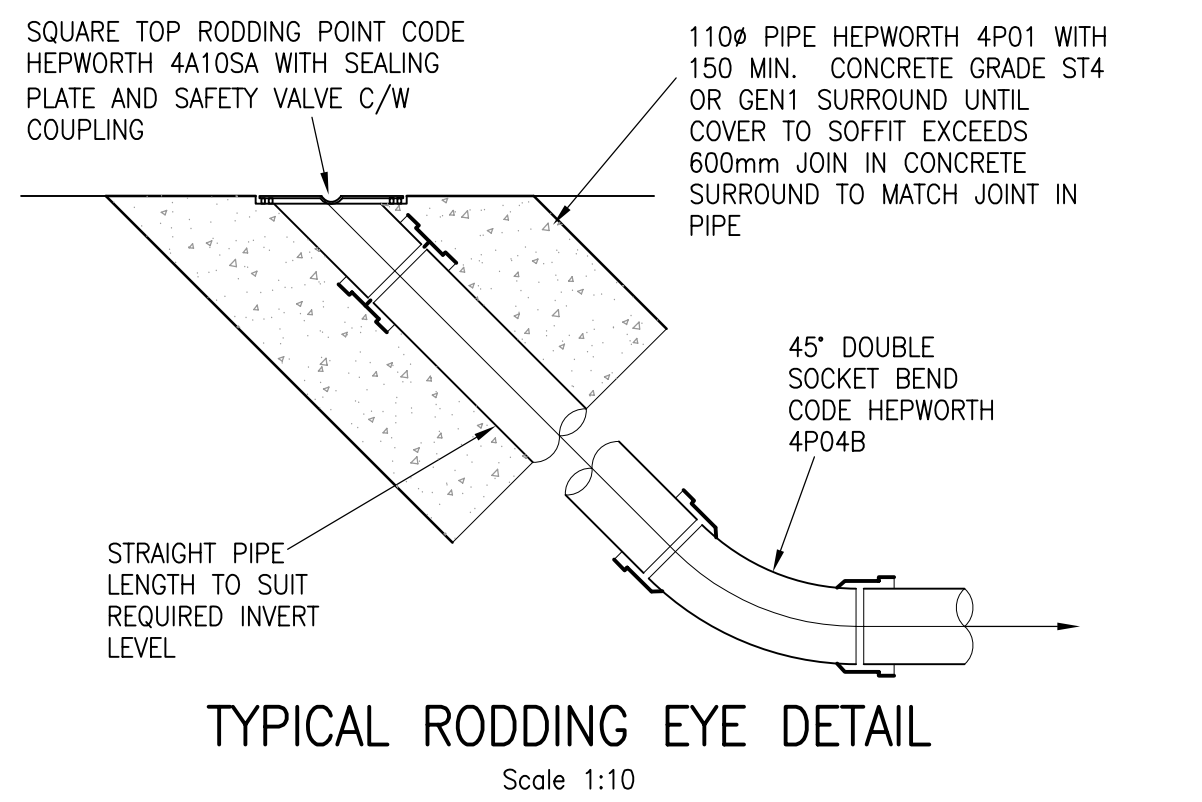


NOMINAL DIA	EFFECTIVE LENGTH
150-600	600
675-750	1000
>750	1250

PIPE PROTECTION ADJACENT TO BUILDING FOUNDATIONS



DO NOT SCALE



RAMPDROP DETAIL FOR MANHOLES

Scale 1:20

COMMERCIAL IN CONFIDENCE

NOTES

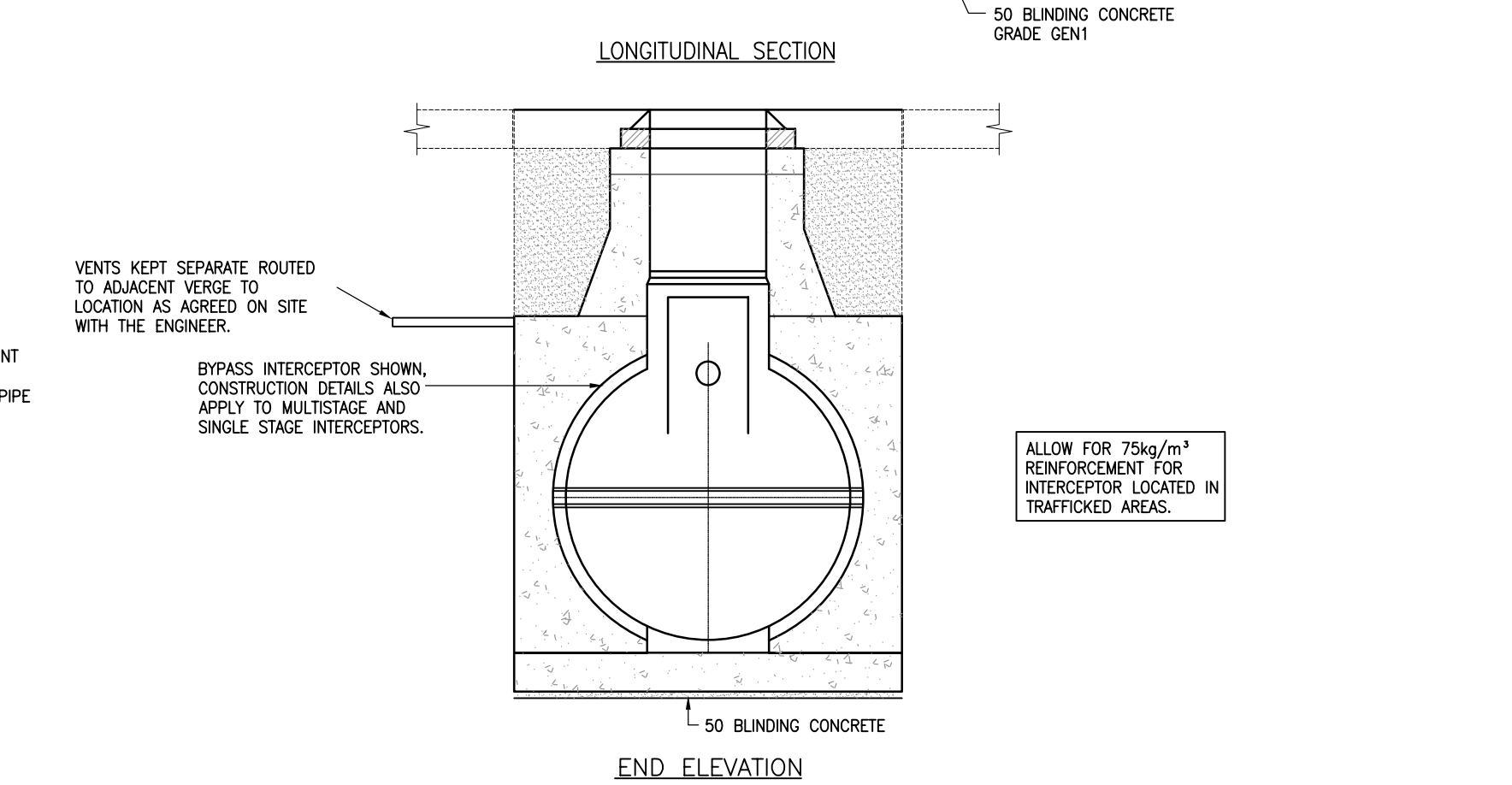
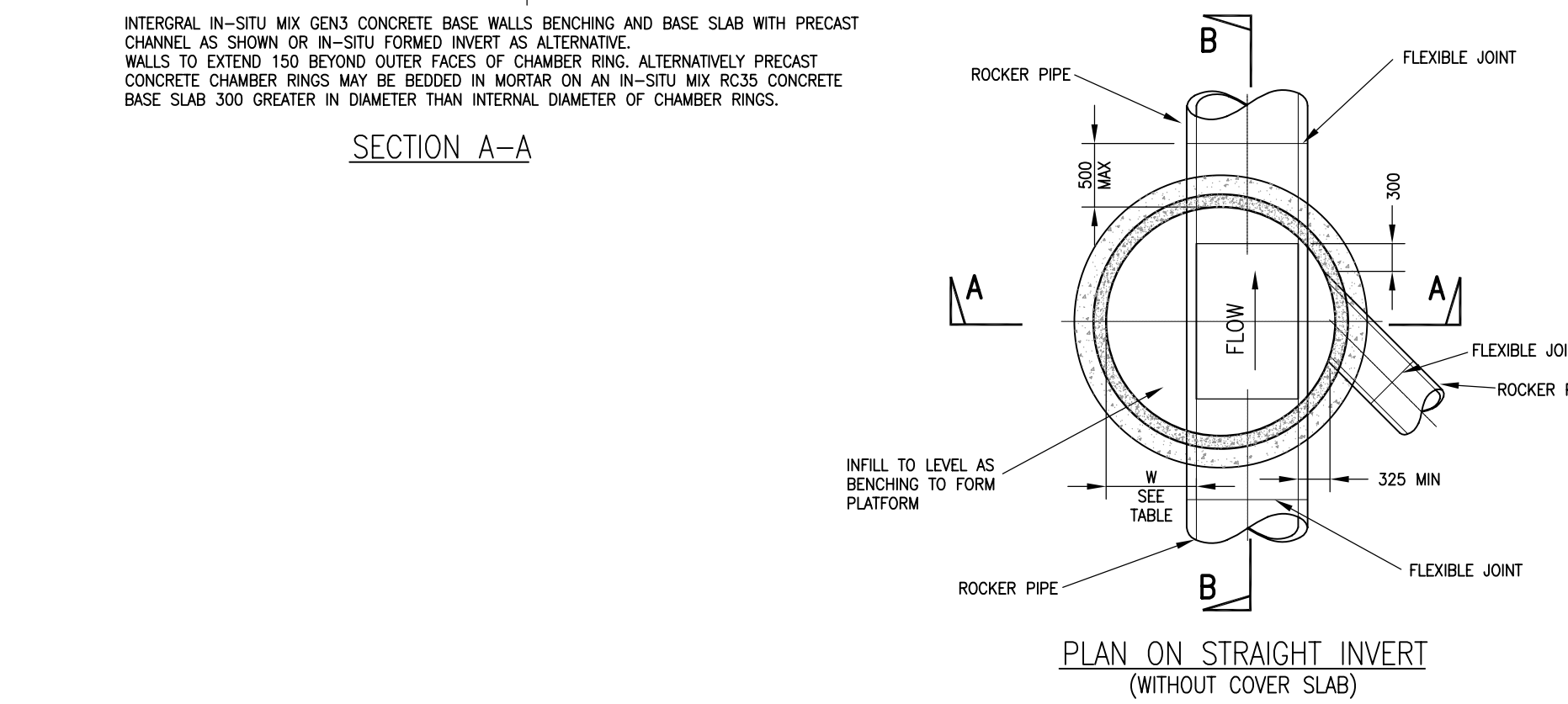
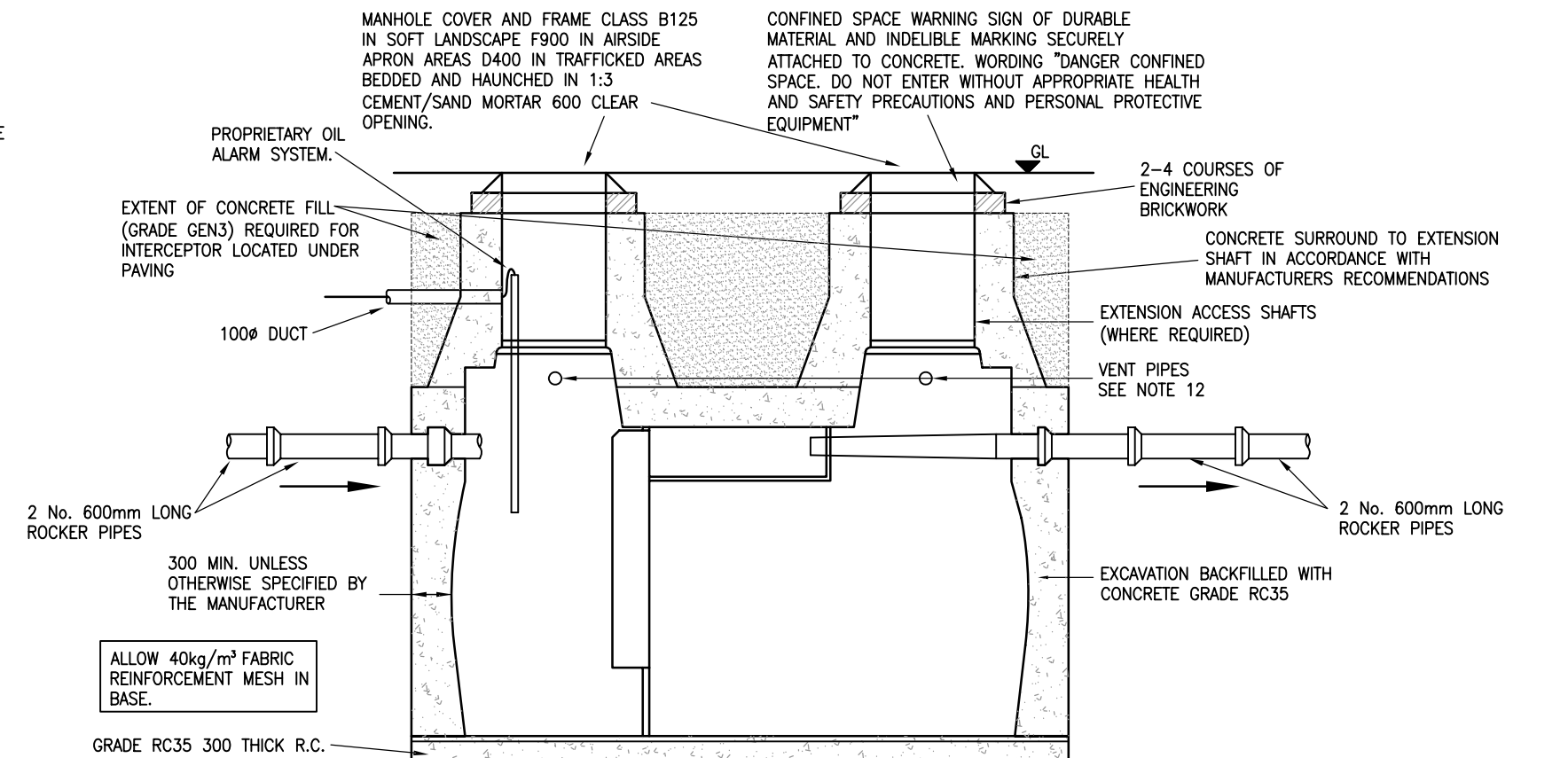
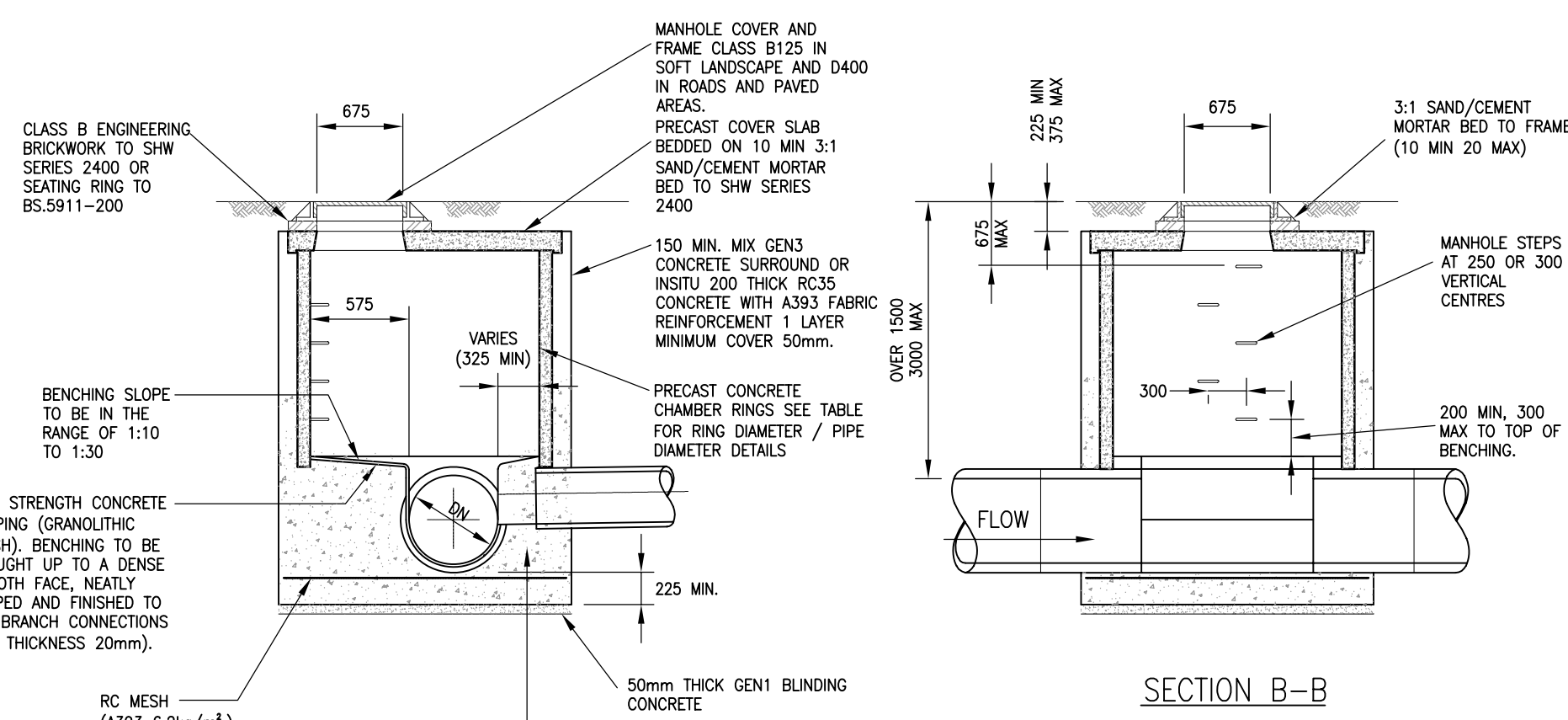
- DIMENSIONS ARE IN MILLIMETERS UNLESS OTHERWISE STATED.
- REFERENCE DESIGN DRAWINGS TO BE READ IN CONJUNCTION WITH EMPLOYER'S REQUIREMENTS AND REFERENCE DESIGN SPECIFICATIONS.
- CO-ORDINATES ARE TO ST HELENA LOCAL GRID.
- LAND LEVELS ARE IN METRES RELATIVE TO MEAN SEA LEVEL.
- SPECIFIED PRODUCTS SHALL BE OR EQUAL APPROVED.
- CONCRETE GRADES TO BS8500. REINFORCED CONCRETE, GRADE: RC40. FOUNDATIONS: GRADE: RC35. MASS CONCRETE: GRADE: GEN3. BLINDING CONCRETE: GRADE: GEN1.
- HIGH YIELD REINFORCEMENT WITH YIELD STRENGTH OF 460N/mm².
- REINFORCEMENT WEIGHTS GIVEN ARE INDICATIVE ONLY FOR REFERENCE DESIGN PRICING.
- PROVIDE ROCKER PIPES ADJACENT TO ALL MANHOLES, CATCHPITS OR OTHER STRUCTURES. SEE TABLE A FOR LENGTHS.
- DEPTH OF COVER TO PIPES IS TO BE 1200 MIN IN TRAFFICKED AREAS AND 700 MIN ELSEWHERE.
- COVERS, GRATINGS AND CHANNELS TO BE CLASS F900 ON AIRFIELD AND D400 ELSEWHERE.

DOCUMENT REFERENCE

SHW SPECIFICATION FOR HIGHWAY WORKS (UK HIGHWAYS AGENCY)

TYPE 1 - MANHOLE UP TO 1.5m DEEP. PIPES UP TO 450mm Dia

Scale 1:50



TYPICAL OIL AND PETROL INTERCEPTOR INSTALLATION (ONLY WHERE IN SOFT REINFORCEMENT & HD CORES FOR USE IN PAVED AREAS)

Scale 1:50

TYPICAL ARRANGEMENT OF INTERCEPTOR VENT PIPES

NOTE- ABOVE GROUND AIRSIDE PIPEWORK TO BE PAINTED YELLOW: RAL1023 TO ENSURE VISIBLE TO PERSONNEL AND VEHICLE OPERATORS.

Scale 1:25



Rev.		Description	By	Date	Chk'd	Auth

Client
DFID

Consultant
Atkins Limited
 Consulting Engineers,
 Woodcote Grove,
 Ashley Road,
 Epsom, Surrey, England,
 KT18 5BW
 www: http://www.atkinsglobal.com
 Fax (01372) 740055
 Tel. (01372) 726140

Project
St Helena Reference Design

Details Sheet 3 - Drainage					
Scale at A1	Drawn	Checked	Authorised	Status	
As Shown	BnH Date 16.1.07	JD Date -	RDJ Date 19.1.07	T	B
Drawing Number 5048976 - CI - 01 - 2052					Rev B