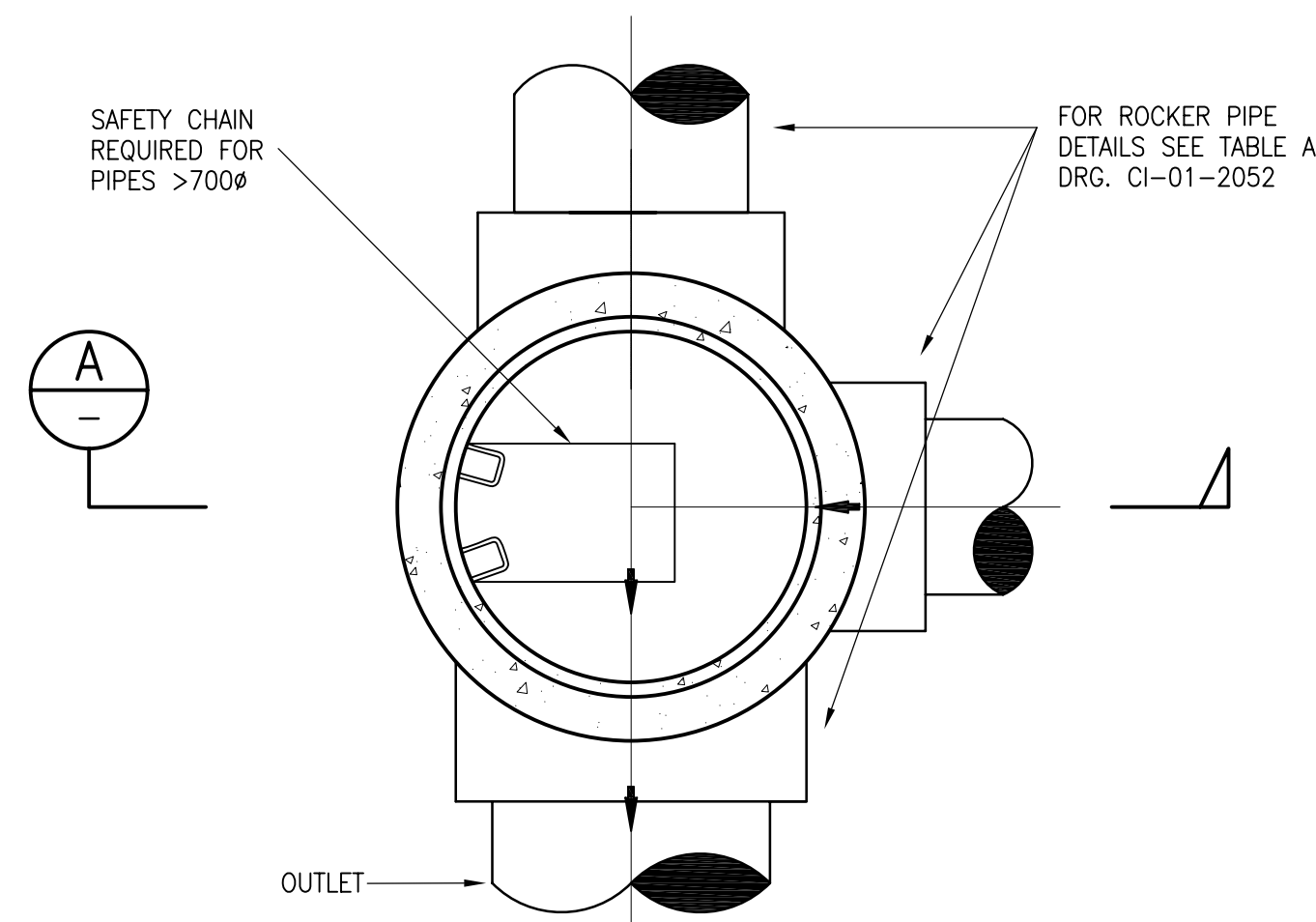


DO NOT SCALE

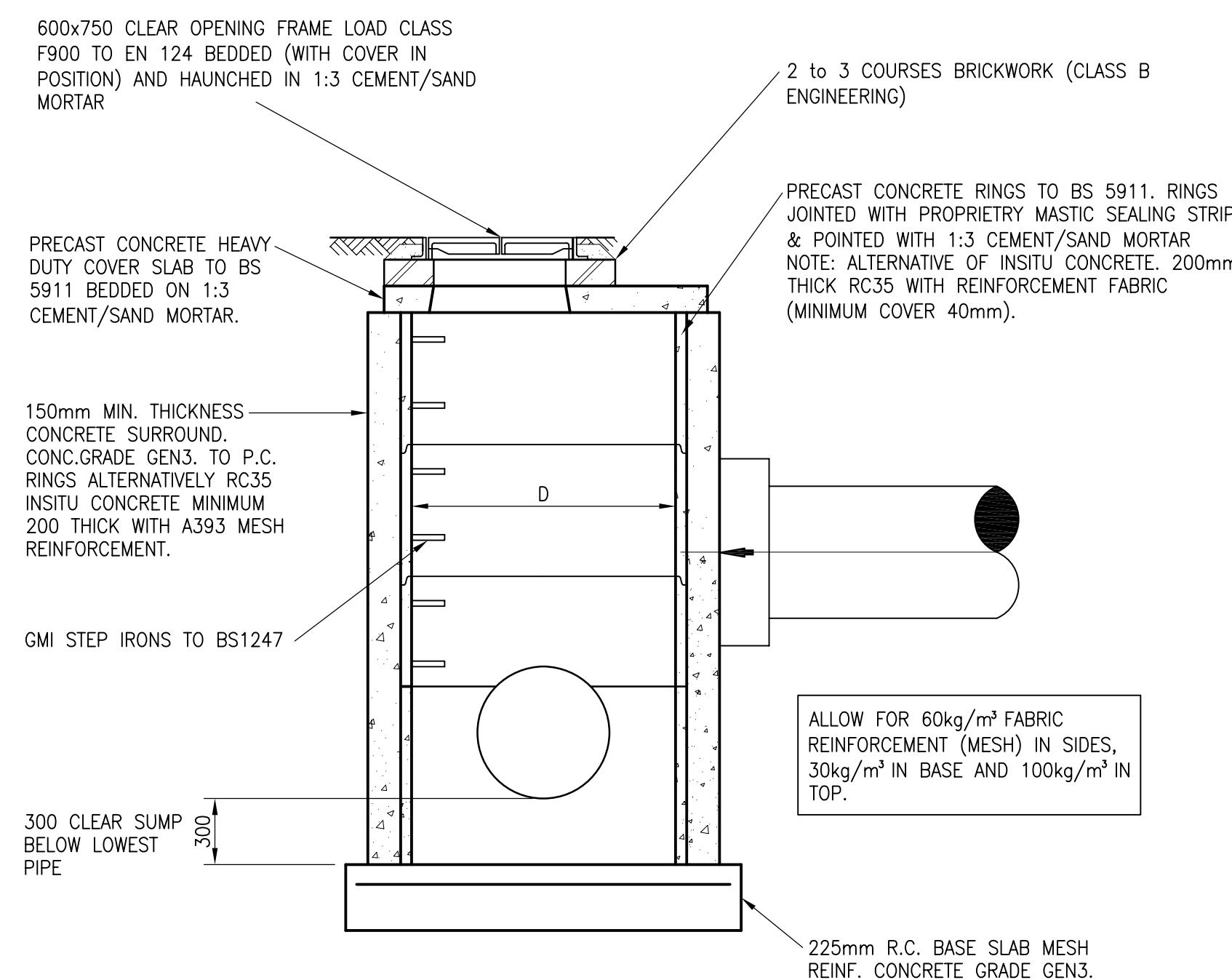
COMMERCIAL IN CONFIDENCE

- NOTES
- DIMENSIONS ARE IN MILLIMETERS UNLESS OTHERWISE STATED.
 - REFERENCE DESIGN DRAWINGS TO BE READ IN CONJUNCTION WITH EMPLOYER'S REQUIREMENTS AND REFERENCE DESIGN SPECIFICATIONS.
 - CO-ORDINATES ARE TO ST HELENA LOCAL GRID.
 - LAND LEVELS ARE IN METRES RELATIVE TO MEAN SEA LEVEL.
 - SPECIFIED PRODUCTS SHALL BE OR EQUAL APPROVED.
 - CONCRETE GRADES TO BS8500. REINFORCED CONCRETE GRADE: RC40. FOUNDATIONS CONCRETE GRADE: RC35. MASS CONCRETE GRADE: GEN3. BLINDING CONCRETE GRADE: GEN1.
 - HIGH YIELD REINFORCEMENT WITH YIELD STRENGTH OF 460N/mm².
 - REINFORCEMENT WEIGHTS GIVEN ARE INDICATIVE ONLY FOR REFERENCE DESIGN PRICING.
 - FOR ROCKER PIPES REFER TO DRG. No. CI-01-2052
 - DEPTH OF COVER TO PIPES IS TO BE 1200 MIN IN TRAFFICKED AREAS AND 700 MIN ELSEWHERE.
 - COVERS, GRATINGS AND CHANNELS TO BE CLASS F900 ON AIRFIELD AND D400 ELSEWHERE.



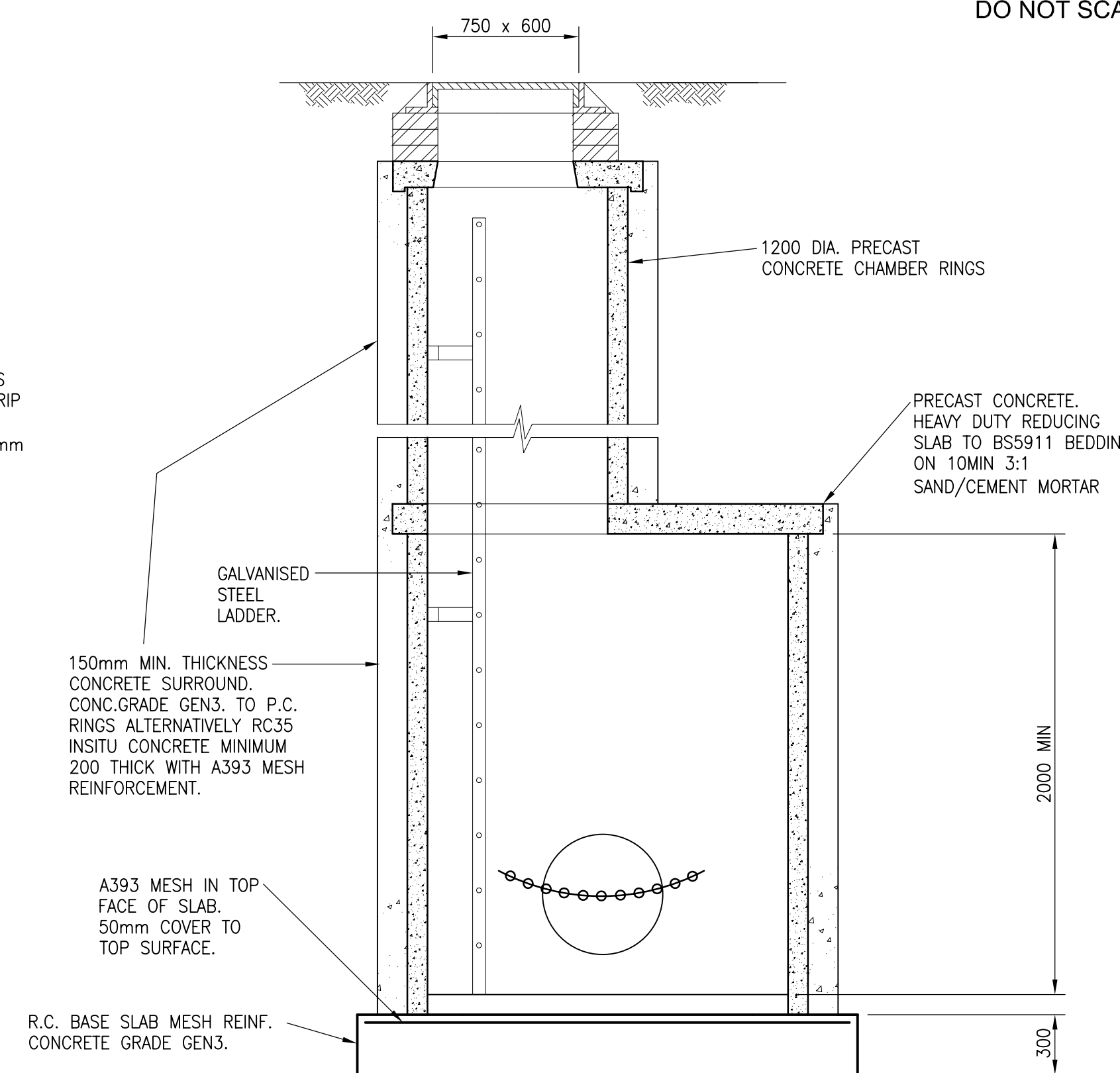
PLAN ON CATCHPIT/MANHOLE

Scale 1:25



SECTION A1 - A1
CONCRETE CATCHPIT MANHOLE (MAX DEPTH 3m)
S.W. ONLY

Scale 1:25



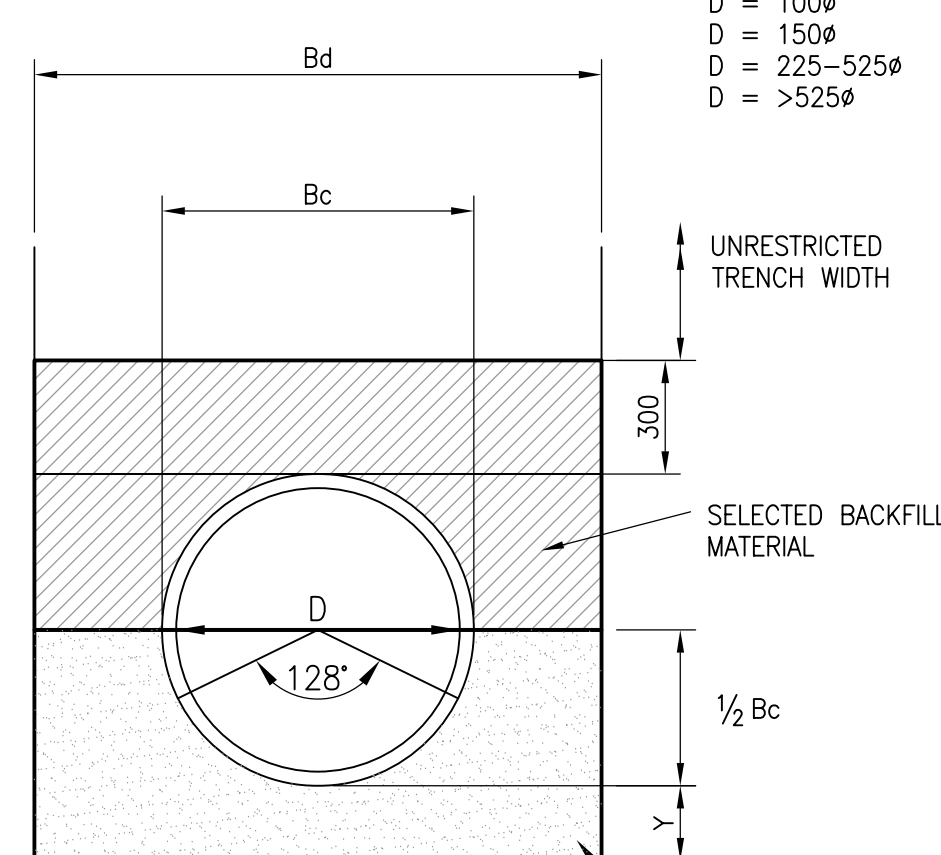
SECTION A2 - A2
PRECAST CONCRETE MANHOLE (DEPTH >3m, <6m)
(DETAILS AS FOR SECTION A1-A1 EXCEPT AS NOTED)

Scale 1:25

MAXIMUM PARTICLE SIZE OF STONES IN SELECTED FILL DEPENDS ON 'D'

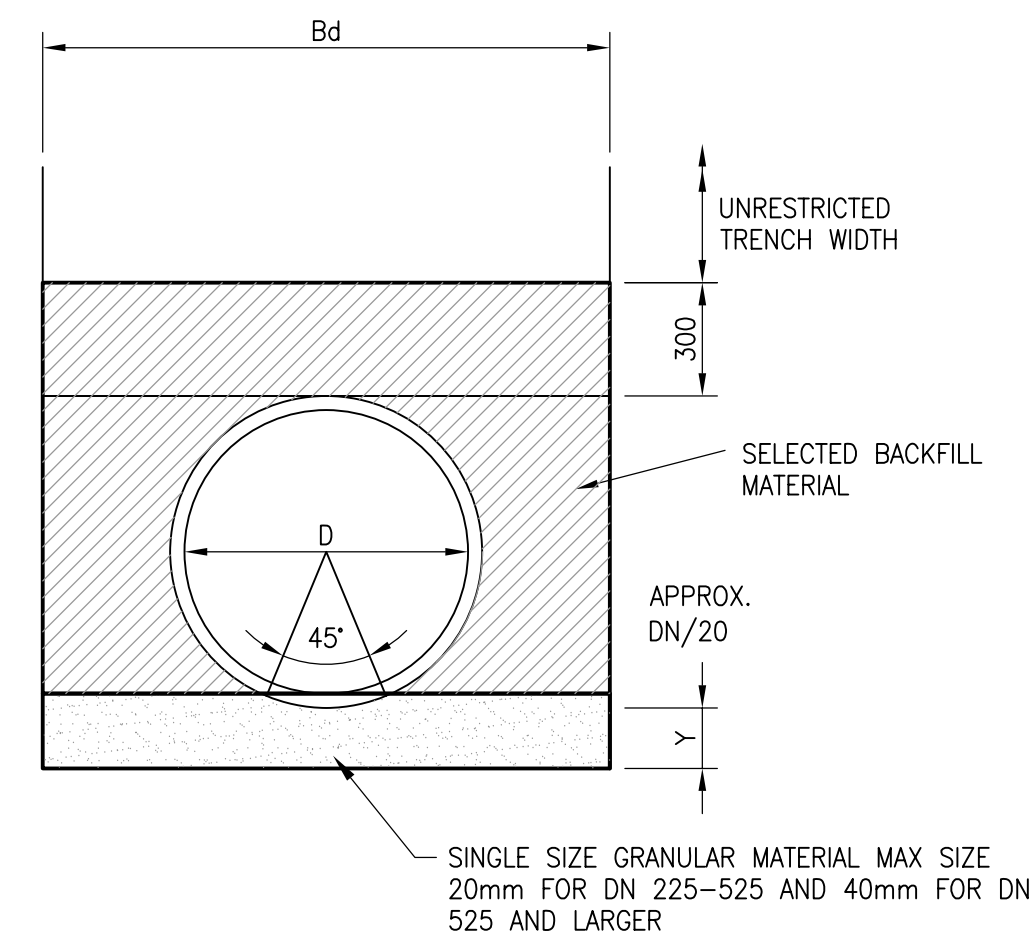
D = 100ø	10mm PARTICLE SIZE
D = 150ø	15mm PARTICLE SIZE
D = 225-525ø	20mm PARTICLE SIZE
D = >525ø	40mm PARTICLE SIZE

TABLE SHOWING MAXIMUM TRENCH WIDTHS (Bd) AND MINIMUM BEDDING (Y) REQUIREMENTS



BEDDING DETAIL CLASS 'B'

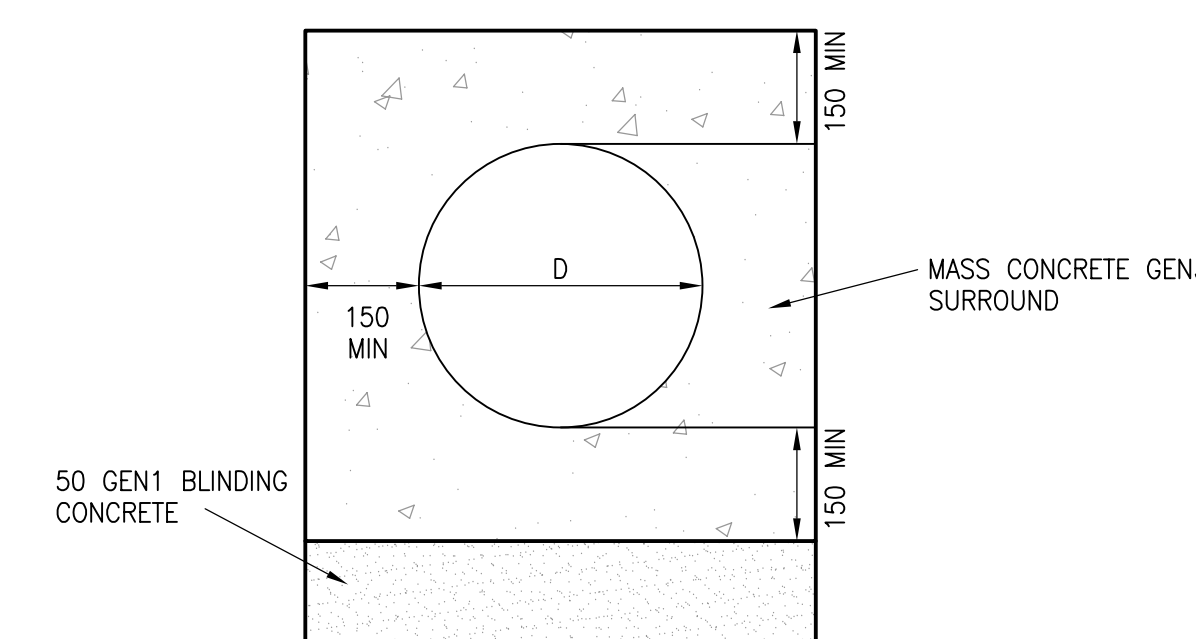
Scale 1:20



BEDDING DETAIL CLASS 'F'

Scale 1:20

D	Bd	Y
100	550	240
150	600	240
225	700	260
300	750	260
375	1050	260
450	1150	260
525	1200	270
600	1350	270
675	1450	270
750	1500	280
825	1600	280
900	1900	290
1050	2050	320
1200	2300	370
1350	2450	410
1500	2600	460
1600	2800	500
1800	2950	560



BEDDING DETAIL CLASS 'O'
CONCRETE SURROUND

Scale 1:20

NOTE:
PIPE MATERIALS GENERALLY TO BE VC EXTRA STRENGTH CLAY PIPE TO BSEN124 OR CONCRETE TO BS5911 (HIGH STRENGTH)

SINGLE SIZE GRANULAR MATERIAL MAX SIZE 20mm FOR DN 225-525 AND 40mm FOR DN 525 AND LARGER

B TENDER ISSUE KT 02.05.07 TJM RDJ

Rev. Description By Date Chk'd Auth

Tender B 02.05.07 RDJ

Review and Pricing A 07.03.07 RDJ

Preliminary - 21.2.07 RDJ

Code Purpose of issue Rev Date Authorised

Client

DFID

Consultant
Atkins Limited
 Consulting Engineers,
 Woodcote Grove,
 Ashley Road,
 Epsom, Surrey, England,
 KT18 5BW
 www : <http://www.atkinsglobal.com>
 Fax (01372) 740055
 Tel. (01372) 726140

Project
St Helena Reference Design

Title
Details Sheet 2 - Drainage

Scale at A1	Drawn	Checked	Authorised	Status
As Shown	BnH	JD	RDJ	T
	Date 16.1.07	Date -	Date 19.1.07	

Drawing Number
5048976 - CI - 01 - 2051
Rev
B

