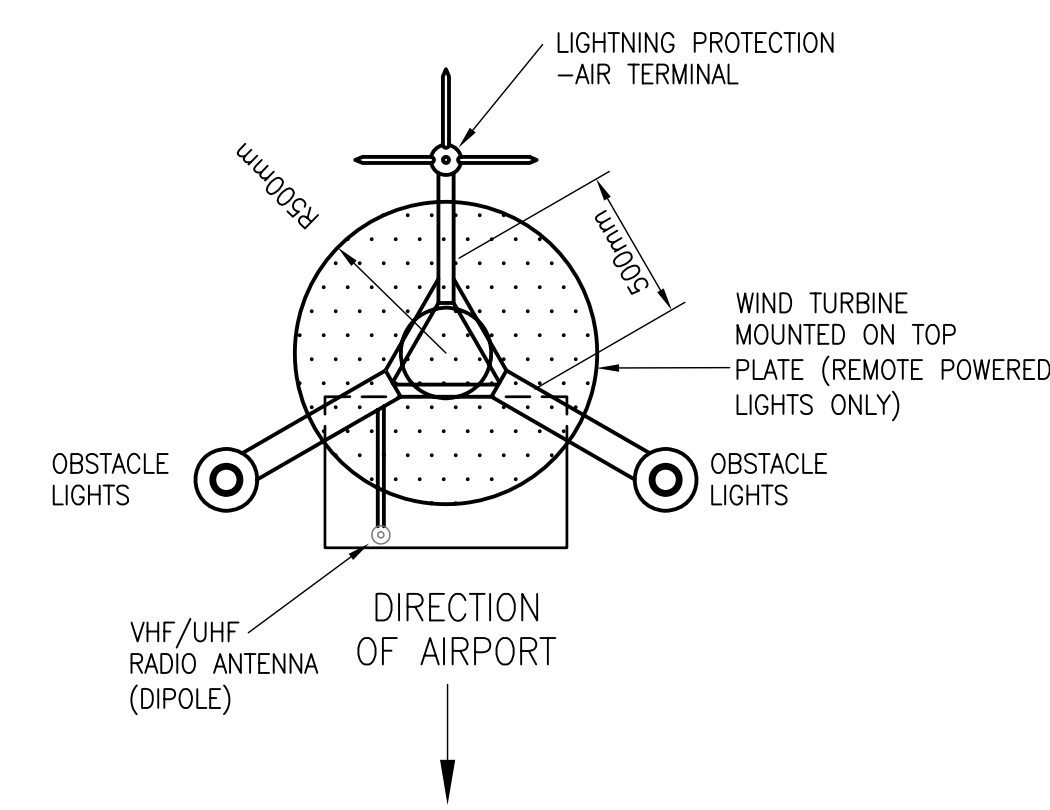


DO NOT SCALE

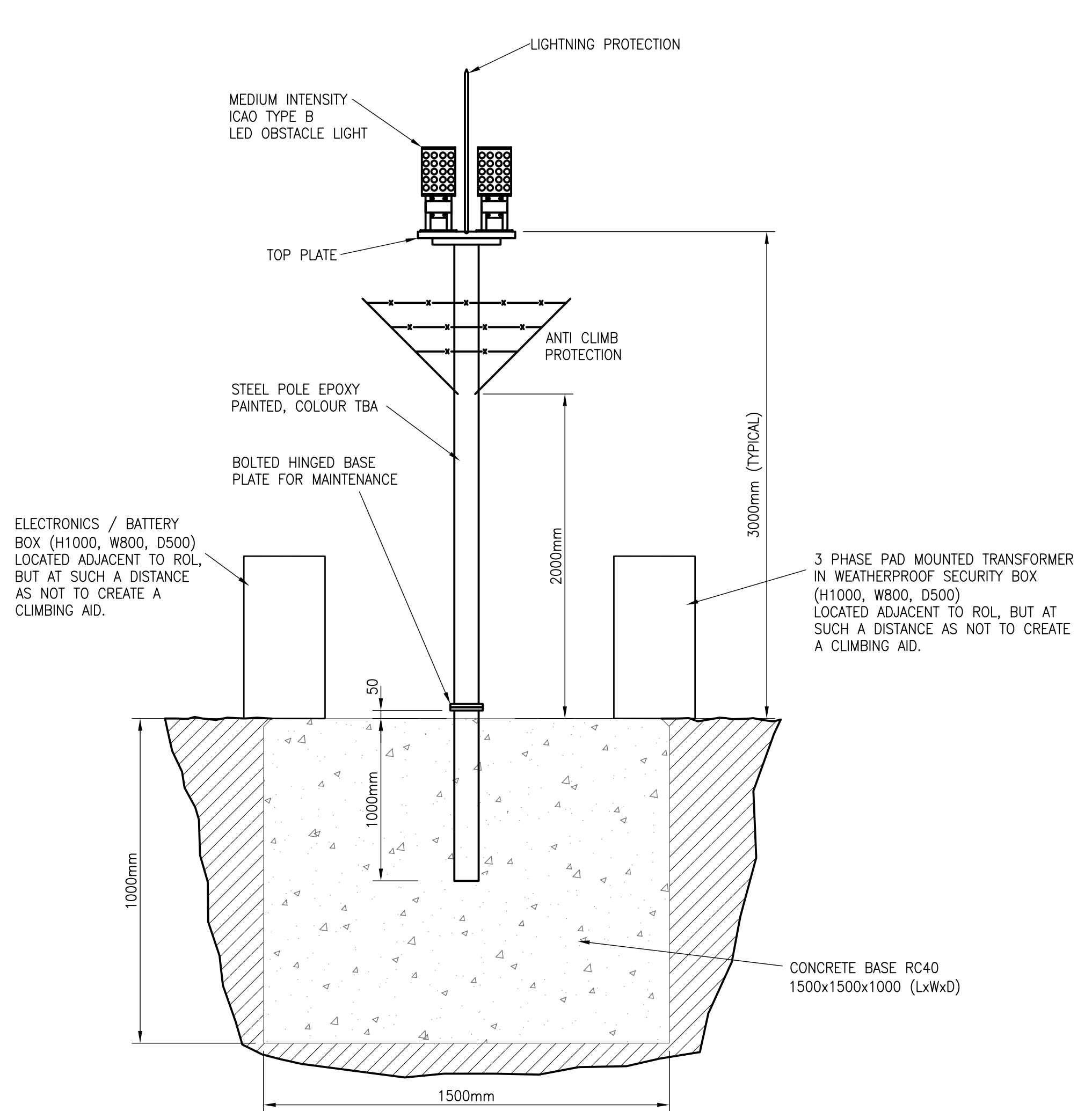
COMMERCIAL IN CONFIDENCE

NOTES:

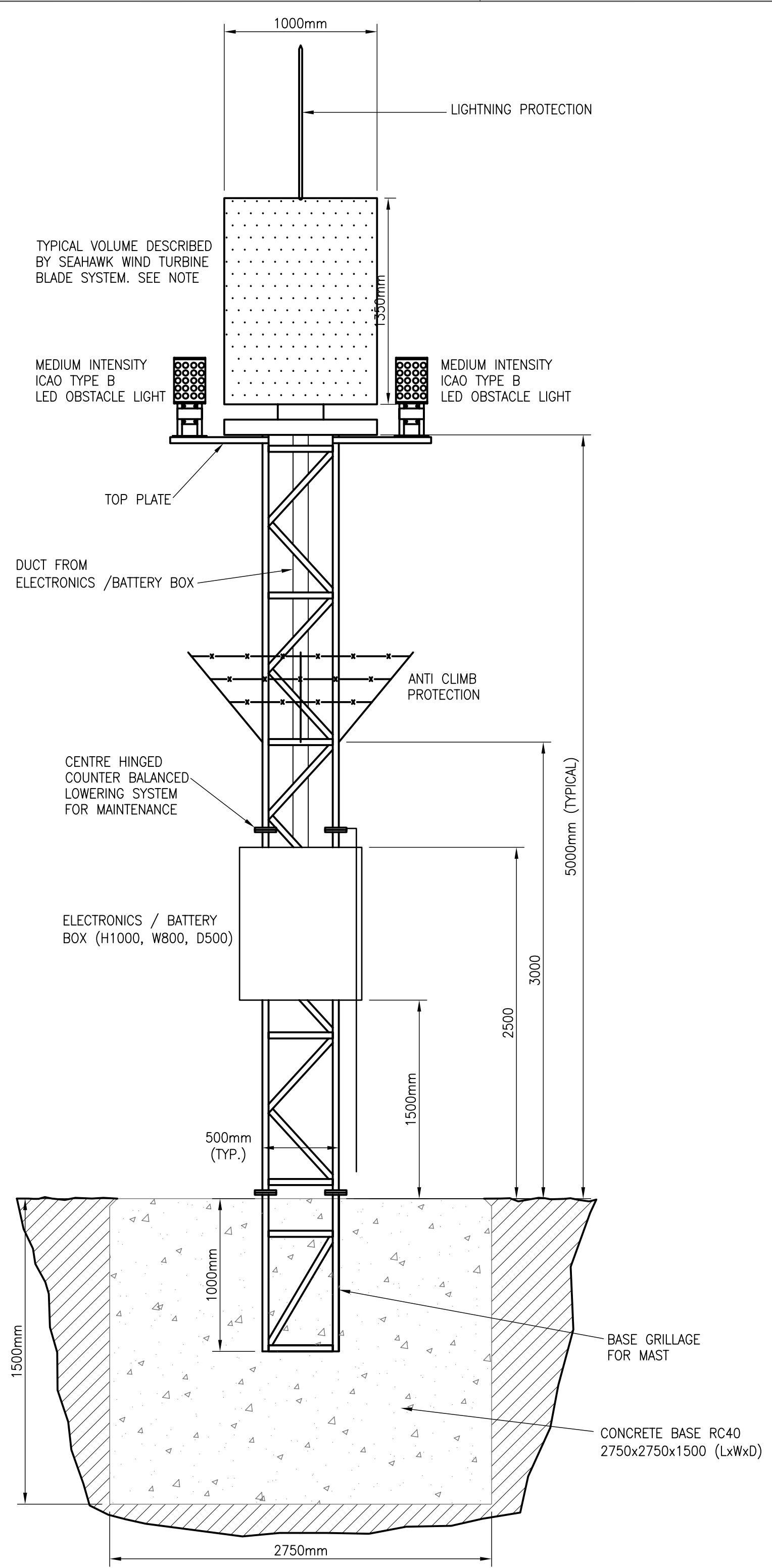
1. DIMENSIONS ARE IN MILLIMETERS UNLESS OTHERWISE STATED.
2. SOLAR PANEL(S) TO BE LOCATED ON LATTICE MAST ABOVE LEVEL OF ELECTRONICS/BATTERY BOX AND ORIENTATED FOR MAXIMUM SOLAR RADIATION.
3. MAST TO BE EQUIPPED WITH ANTI CLIMB PROTECTION.
4. VANDAL AND WEATHER PROOFED ELECTRONICS AND BATTERY BOX TO BE LOCATED ON LEEWARD SIDE OF LATTICE MAST.
5. MAST TO BE EQUIPPED WITH LIGHTNING PROTECTION - AIR TERMINALS, CONDUCTORS (SEPARATED FROM POWER AND SIGNALS CABLES) AND EARTH ROD ELECTRODES.
6. WIND TURBINE TO BE SEAHAWK MODEL VAWT FROM PAC WIND TECHNOLOGY OR SIMILAR EQUIPPED WITH MANUALLY STOP/RELEASE - OPERABLE AT POSITION BELOW TOP PLATE.
7. TRANSFORMERS FOR ROL'S CONNECTED TO MAINS ELECTRICITY TO BE LOCATED TO SERVE GROUPS OF LIGHTS WHERE POSSIBLE.
8. 3 PHASE CABLING TO BE ARMORED IN ACCORDANCE WITH BS 5467.



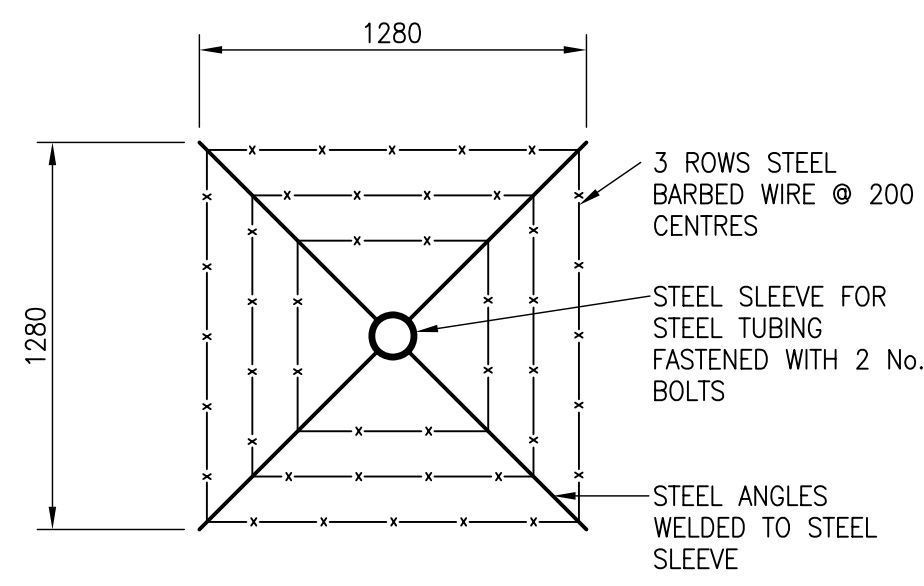
ROL GENERAL CONFIGURATION PLAN VIEW



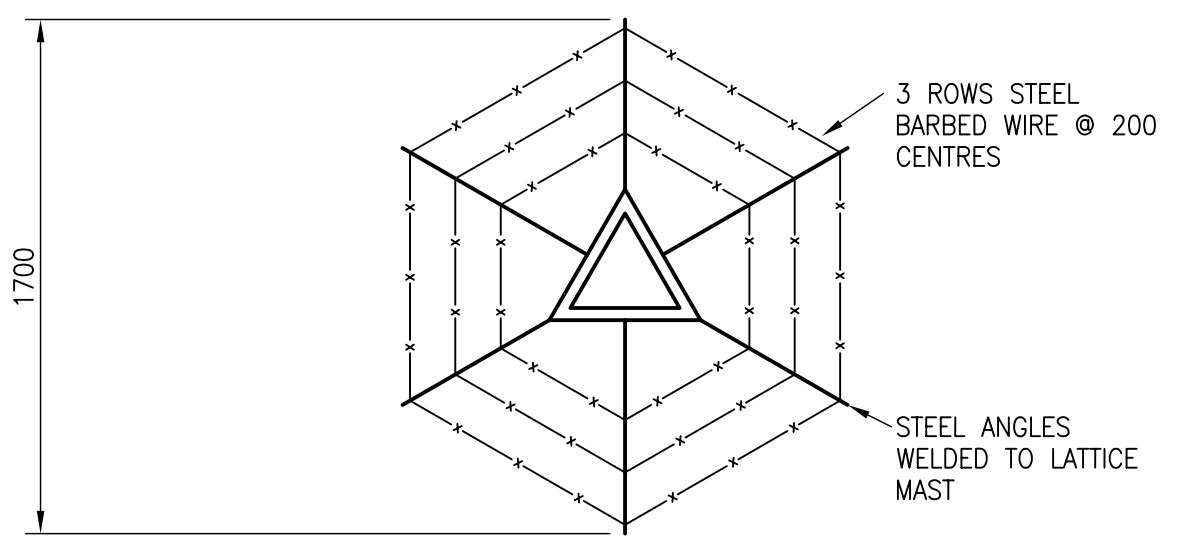
TYPE A - ROL STEEL POLE ELEVATION



TYPE B - ROL SELF CONTAINED POWER SUPPLY LATTICE MAST ELEVATION



ANTI CLIMB PROTECTION FOR STEEL POLE PLAN VIEW



ANTI CLIMB PROTECTION FOR LATTICE MAST PLAN VIEW

Rev.	Description	By	Date	Chk'd	Auth

Tender - 10.5.07 RDJ

Client **DFID**

Consultant
Atkins Limited
 Consulting Engineers,
 Woodcote Grove,
 Ashley Road,
 Epsom, Surrey, England,
 KT18 5BW
 www: <http://www.atkinsglobal.com>
 Fax (01372) 740055
 Tel. (01372) 726140

Project **St Helena Reference Design**

Title
Airfield Details
 Sheet 5

Scale at A1	Drawn	Checked	Authorised	Status
NTS	BnH	RDJ	RDJ	T
	Date 9.5.07	Date 10.5.07	Date 10.5.07	

Drawing Number 5048976 - CI - 01 - 2024

Rev -

