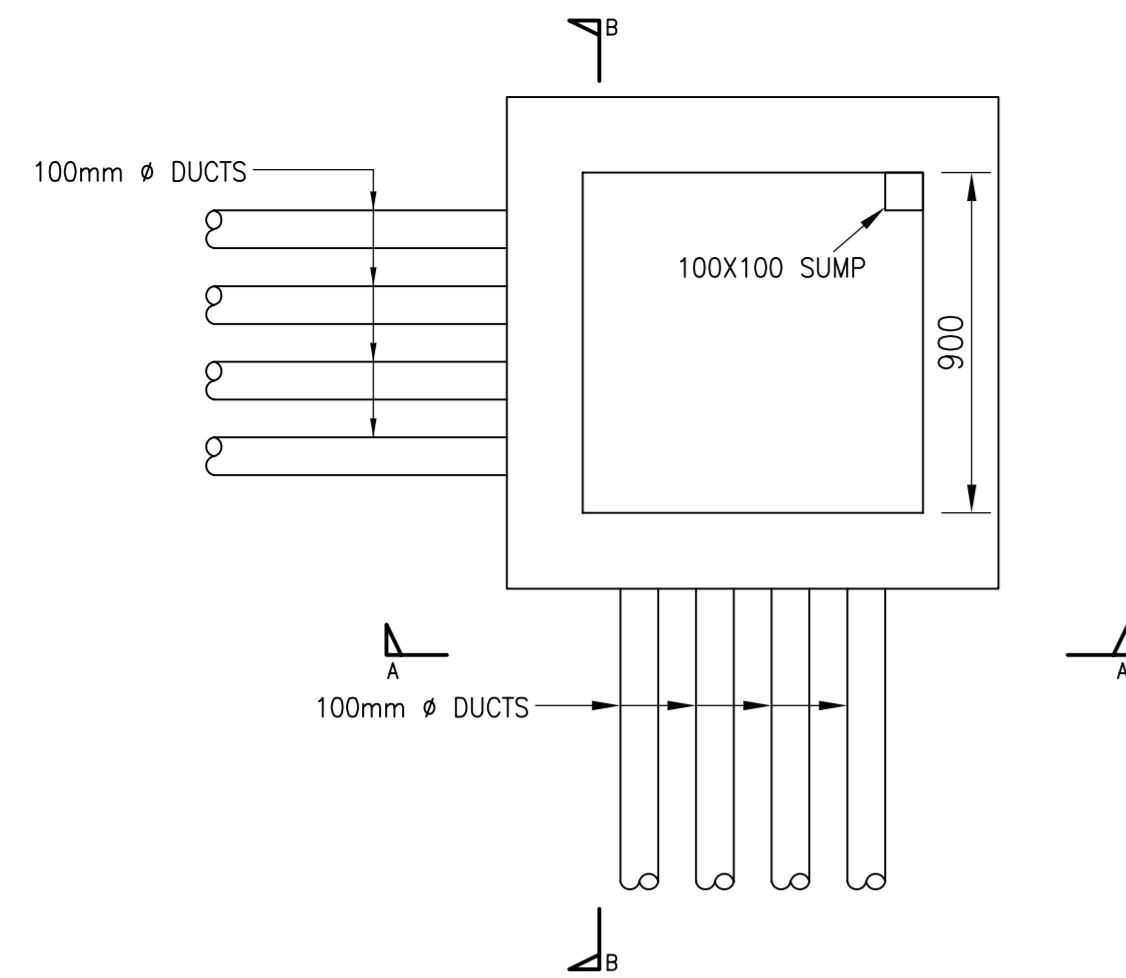


DO NOT SCALE

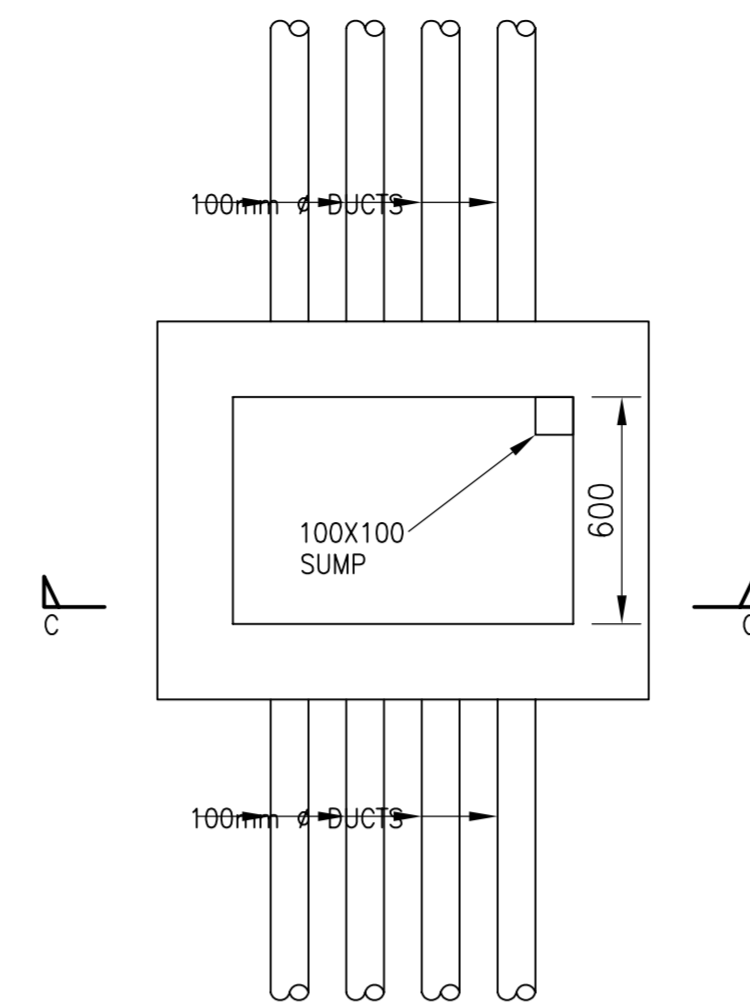
COMMERCIAL IN CONFIDENCE

NOTES

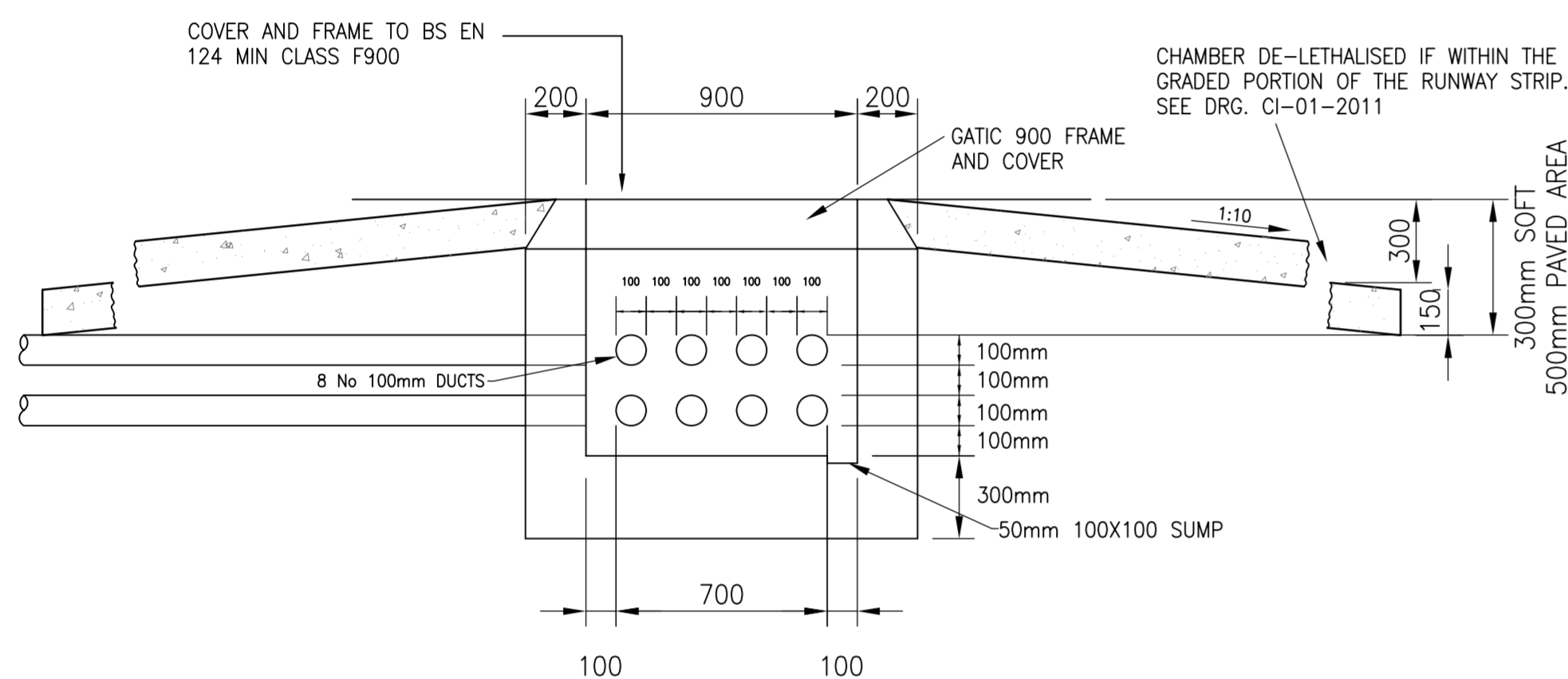
- DIMENSIONS ARE IN MILLIMETERS UNLESS OTHERWISE STATED.
- REFERENCE DESIGN DRAWINGS TO BE READ IN CONJUNCTION WITH EMPLOYER'S REQUIREMENTS AND REFERENCE DESIGN SPECIFICATIONS.
- CO-ORDINATES ARE TO ST HELENA LOCAL GRID.
- LAND LEVELS ARE IN METRES RELATIVE TO MEAN SEA LEVEL.
- SPECIFIED PRODUCTS SHALL BE OR EQUAL APPROVED.
- CONCRETE GRADES TO BS8500.
REINFORCED CONCRETE GRADE: RC40.
FOUNDATIONS GRADE: RC35.
MASS CONCRETE GRADE: GEN3.
BLINDING CONCRETE GRADE: GEN1.
- HIGH YIELD REINFORCEMENT WITH YIELD STRENGTH OF 460N/mm².
- REINFORCEMENT WEIGHTS GIVEN ARE INDICATIVE ONLY FOR REFERENCE DESIGN PRICING.
- CHAMBERS AND BASES TO BE PLACED ON 150 MINIMUM CRUSHED AGGREGATE BASE UNLESS SHOWN OTHERWISE.
- ALLOW 40kg/m³ FOR CHAMBER REINFORCEMENT.



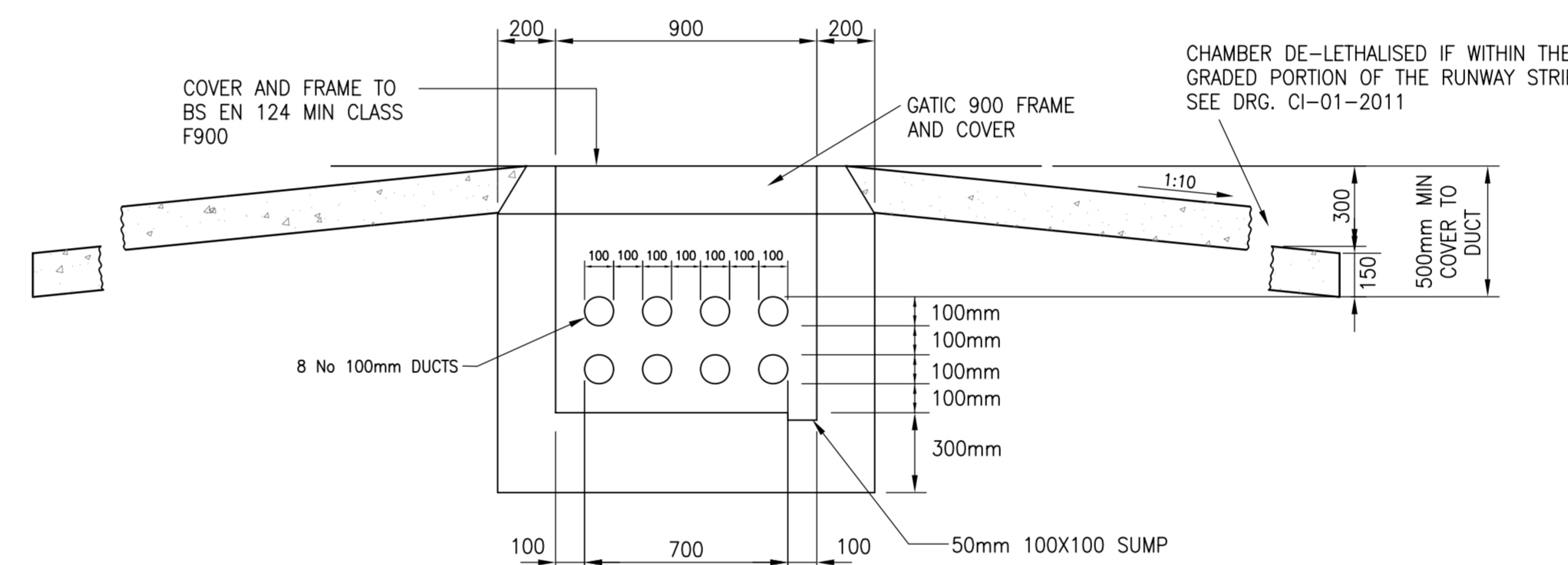
PLAN
CHAMBER TYPE C - 8 No. 100mm Ø
Scale 1:20



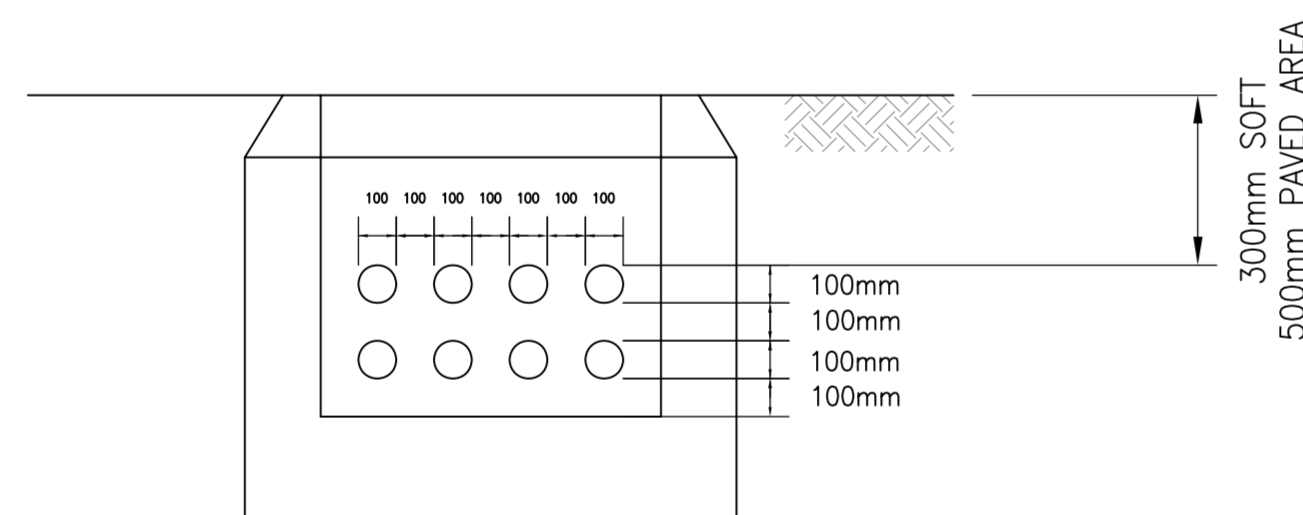
PLAN
CHAMBER TYPE B - 8 No. 100mm Ø
Scale 1:20



SECTION A-A
Scale 1:20



SECTION C-C
Scale 1:20



SECTION B-B
Scale 1:20

SIGN 'A'



SIGN 'B'



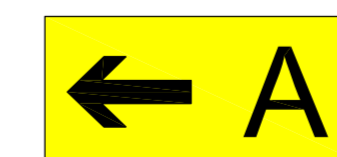
SIGN 'C'



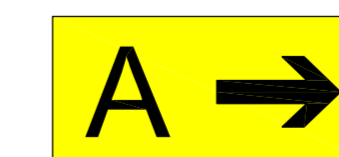
SIGN 'D'



SIGN 'E'



SIGN 'F'



ILLUMINATED MOVEMENT GUIDANCE SIGNS



B TENDER ISSUE KT 25.07 TJM RDJ

Rev.	Description	By	Date	Chk'd	Auth

Tender	B	25.07	RDJ
--------	---	-------	-----

Review and Pricing	A	07.03.07	RDJ
--------------------	---	----------	-----

Preliminary	-	21.2.07	RDJ
-------------	---	---------	-----

Code	Purpose of issue	Rev	Date	Authorised

Client

DFID

Consultant
Atkins Limited ©
Consulting Engineers,
Woodcote Grove,
Ashley Road,
Epsom, Surrey, England,
KT18 5BW

ATKINS
www: <http://www.atkinsglobal.com>
Fax (01372) 740055
Tel. (01372) 726140

Project

St Helena Reference Design

Title

Details Sheet 2 - AGL/Nav aids

Scale at A1	Drawn	Checked	Authorised	Status
As Shown	BnH	JD	RDJ	T

Drawing Number	Rev
5048976 - CI - 01 - 2021	B