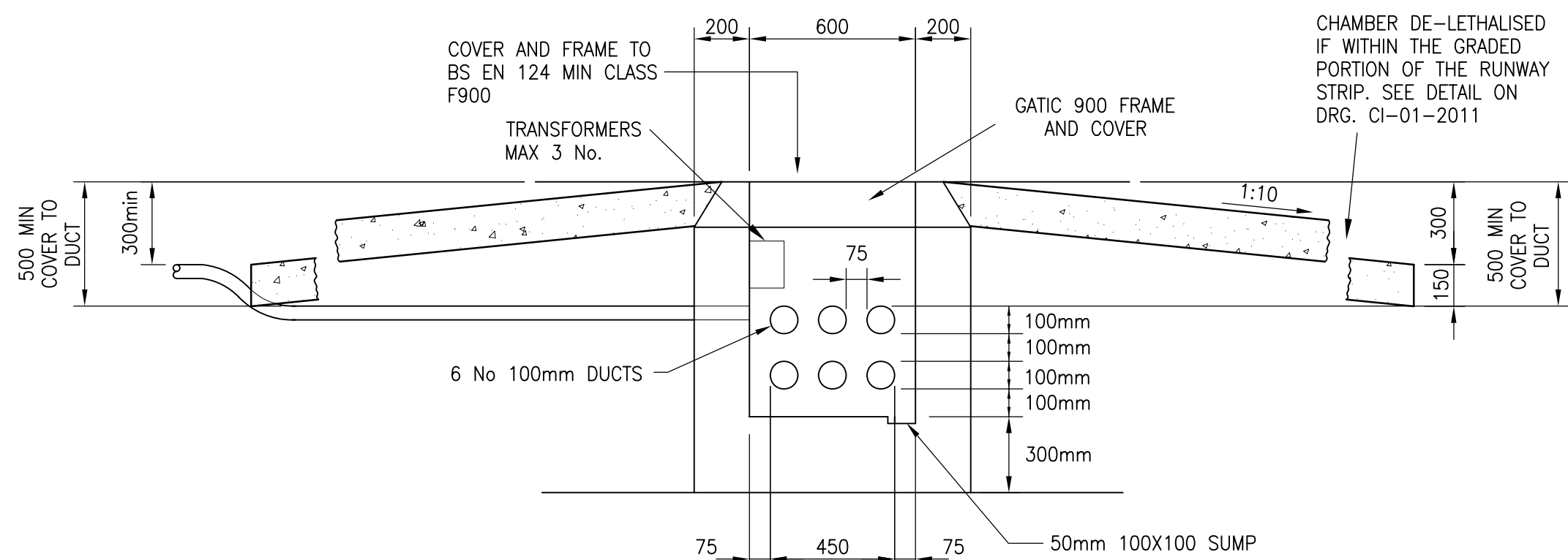
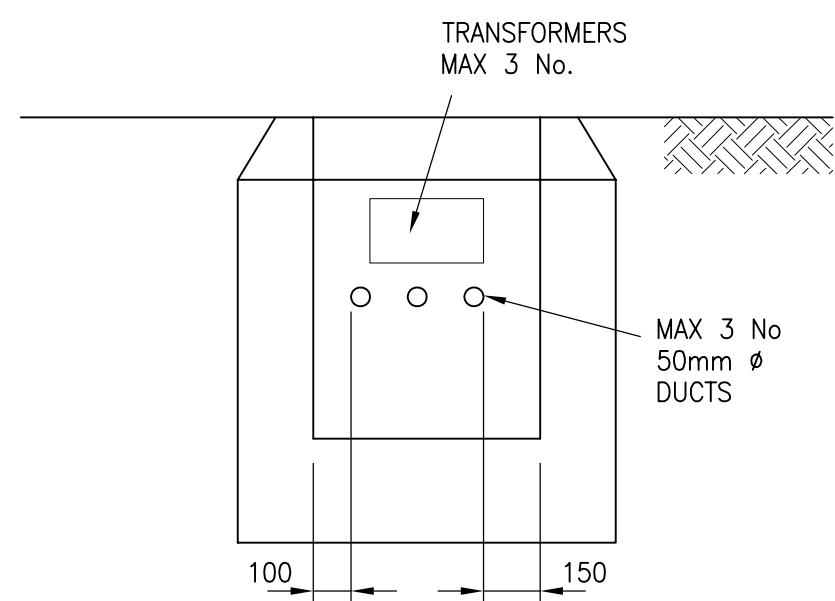


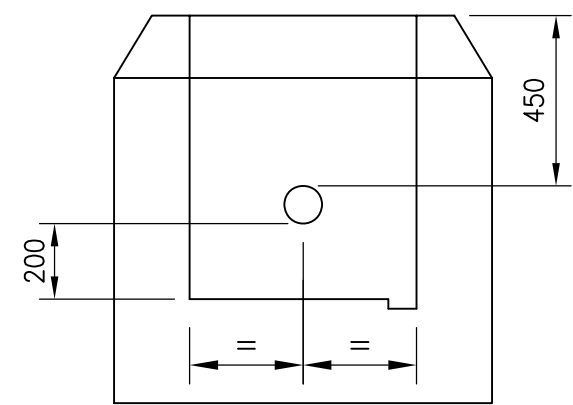
**PLAN**  
**CHAMBER TYPE A6 – 6 No. 100mm  $\phi$**   
Scale 1:20



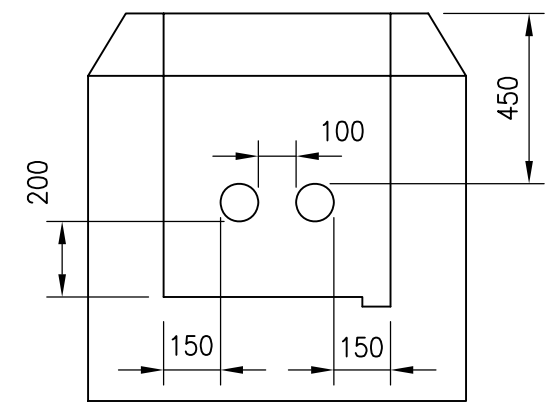
**SECTION A-A**  
Scale 1:20



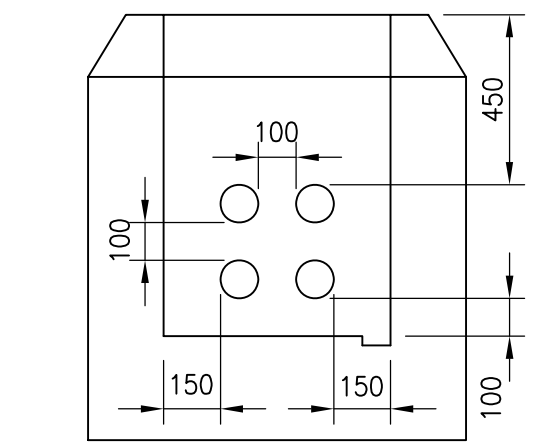
**SECTION B-B**  
**CHAMBER TYPE A**  
Scale 1:20



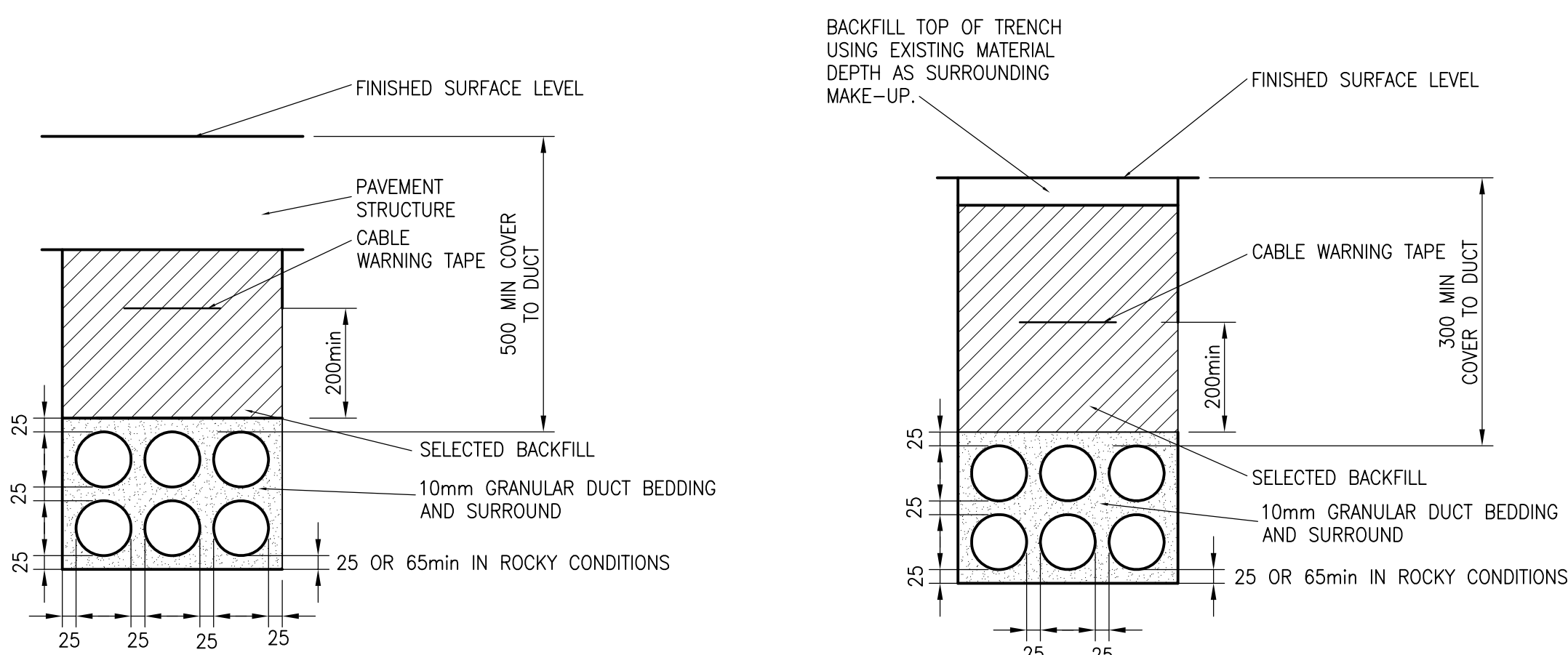
**CHAMBER TYPE A1**  
**1 No 100mm  $\phi$**   
Scale 1:20



**CHAMBER TYPE A2**  
**2 No 100mm  $\phi$**   
Scale 1:20

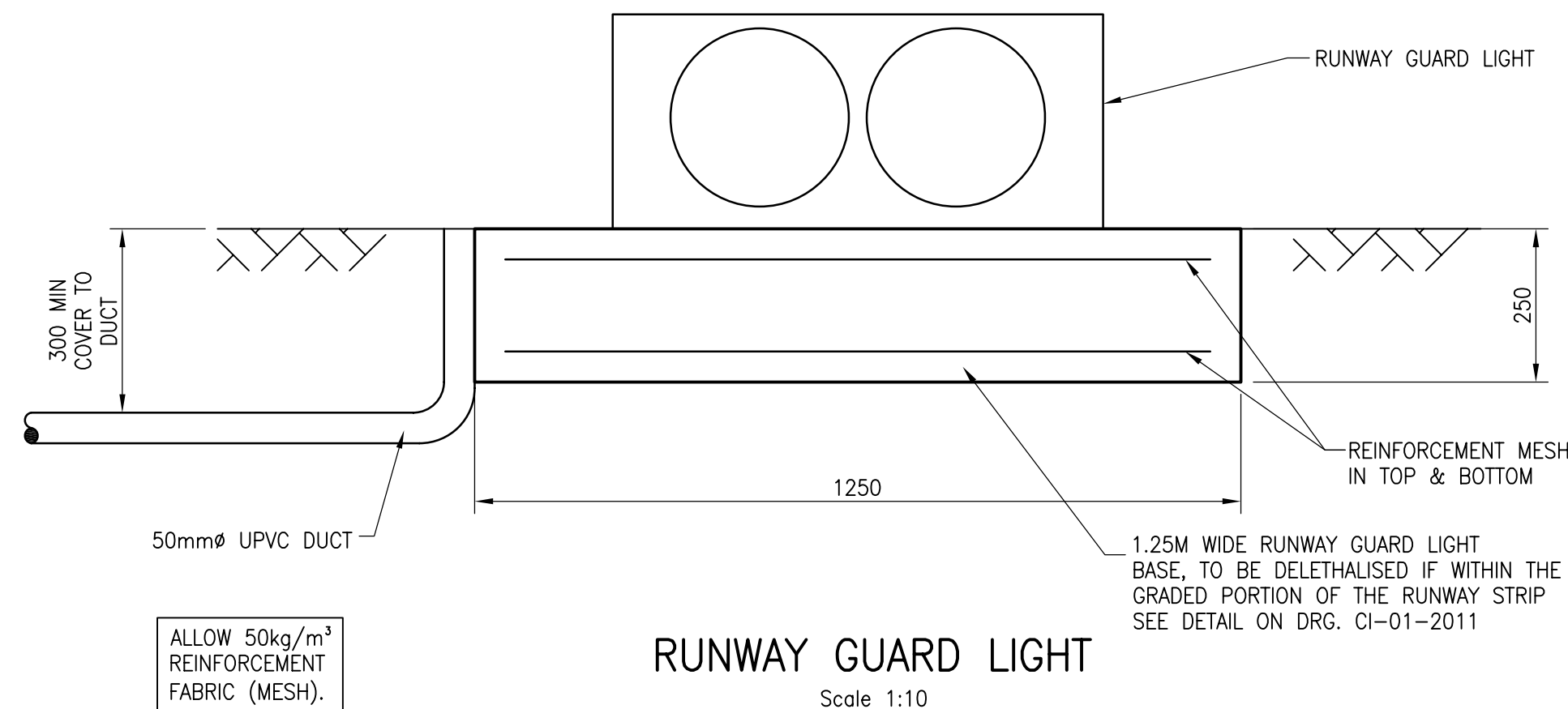


**CHAMBER TYPE A4**  
**4 No 100mm  $\phi$**   
Scale 1:20



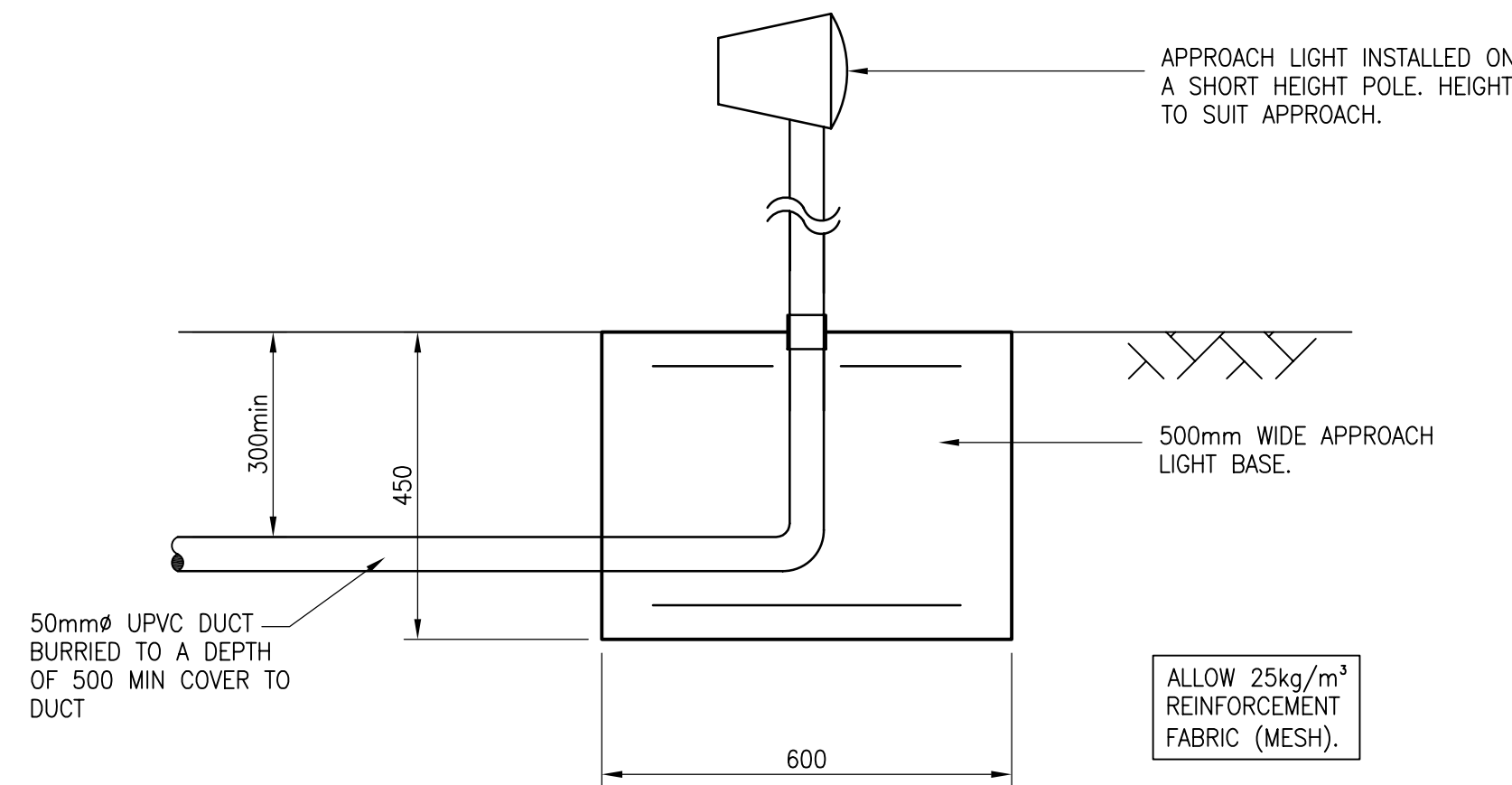
**TYPICAL SETTING OUT OF DUCTS**  
**UNDER PAVED AREAS**  
Scale 1:10

**TYPICAL SETTING OUT OF**  
**DUCTS IN SOFT AREAS**  
Scale 1:10



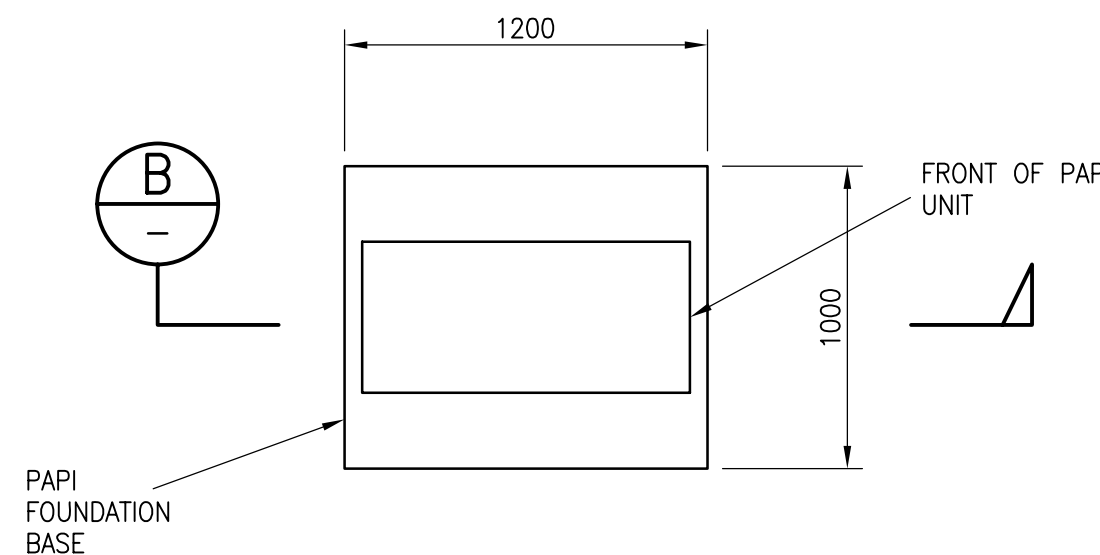
**RUNWAY GUARD LIGHT**  
Scale 1:10

ALLOW 50kg/m<sup>3</sup>  
REINFORCEMENT  
FABRIC (MESH).

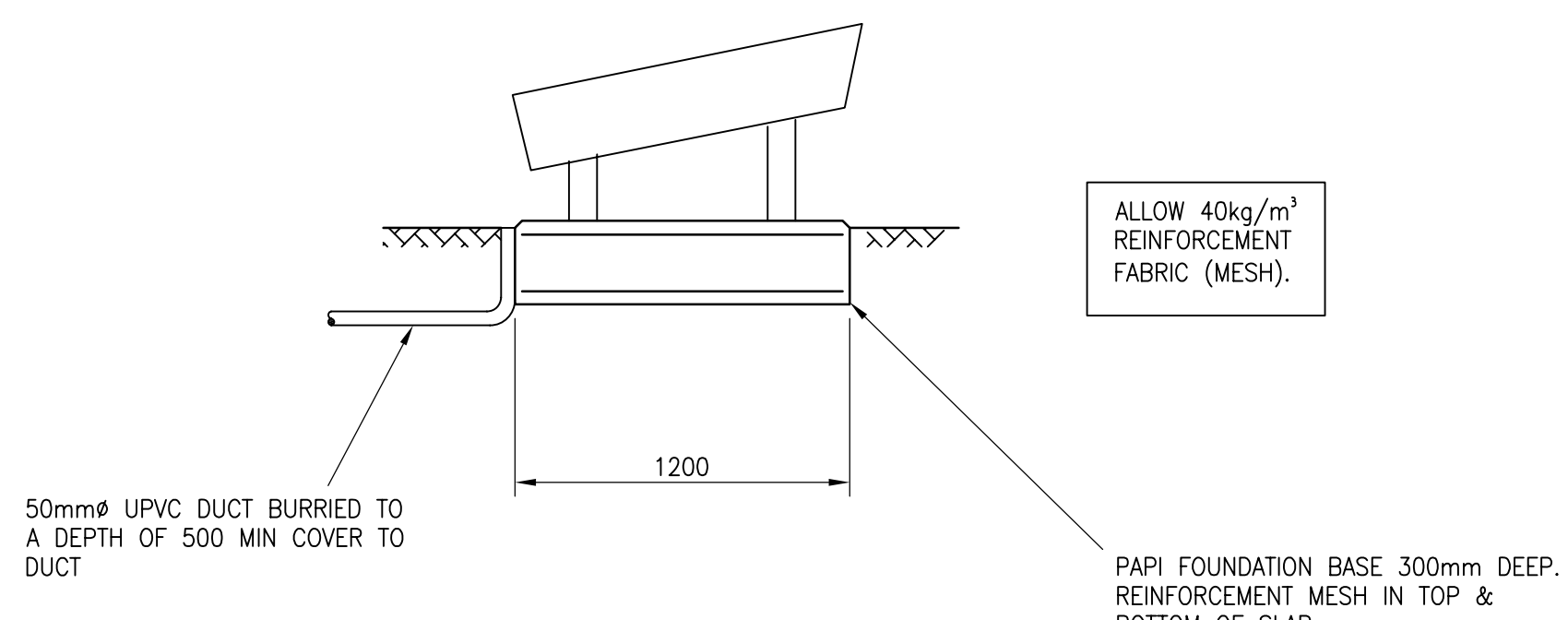


**ELEVATED APPROACH LIGHT BASE**  
Scale 1:10

ALLOW 25kg/m<sup>3</sup>  
REINFORCEMENT  
FABRIC (MESH).



**PLAN OF FOUNDATION BASE FOR**  
**PRECISION APPROACH PATH**  
**INDICATOR (PAPI)**  
Scale 1:25



**SECTION B - B**  
Scale 1:25



DO NOT SCALE

COMMERCIAL IN CONFIDENCE

- NOTES
- DIMENSIONS ARE IN MILLIMETERS UNLESS OTHERWISE STATED.
  - REFERENCE DESIGN DRAWINGS TO BE READ IN CONJUNCTION WITH EMPLOYER'S REQUIREMENTS AND REFERENCE DESIGN SPECIFICATIONS.
  - CO-ORDINATES ARE TO ST HELENA LOCAL GRID.
  - LAND LEVELS ARE IN METRES RELATIVE TO MEAN SEA LEVEL.
  - SPECIFIED PRODUCTS SHALL BE OR EQUAL APPROVED.
  - CONCRETE GRADES TO BS8500. REINFORCED CONCRETE GRADE: RC40. FOUNDATIONS GRADE: RC35. MASS CONCRETE GRADE: GEN3. BLINDING CONCRETE GRADE: GEN1.
  - HIGH YIELD REINFORCEMENT WITH YIELD STRENGTH OF 460N/mm<sup>2</sup>.
  - REINFORCEMENT WEIGHTS GIVEN ARE INDICATIVE ONLY FOR REFERENCE DESIGN PRICING.
  - CHAMBERS AND BASES TO BE PLACED ON 150 MINIMUM CRUSHED AGGREGATE BASE UNLESS OTHERWISE SHOWN.
  - ALLOW 40kg/m<sup>3</sup> FOR CHAMBER REINFORCEMENT.

B MINOR REVISIONS

Rev.	Description	By	Date	Chk'd	Auth

Tender	B	2.5.07	RDJ
Review and Pricing	A	07.03.07	RDJ
Preliminary	-	21.2.07	RDJ

Code	Purpose of issue	Rev	Date	Authorised

Client  
**DFID**

Consultant  
**Atkins Limited**   
Consulting Engineers,  
Woodcote Grove,  
Ashley Road,  
Epsom, Surrey, England,  
KT18 5BW  
www: <http://www.atkinsglobal.com>  
Fax (01372) 740055  
Tel. (01372) 726140

Project  
**St Helena Reference Design**

Title  
**Details Sheet 1 - AGL/Navais**

Scale at A1	Drawn	Checked	Authorised	Status
As Shown	BnH	JD	RDJ	T

Drawing Number	Rev
5048976 - CI - 01 - 2020	B