

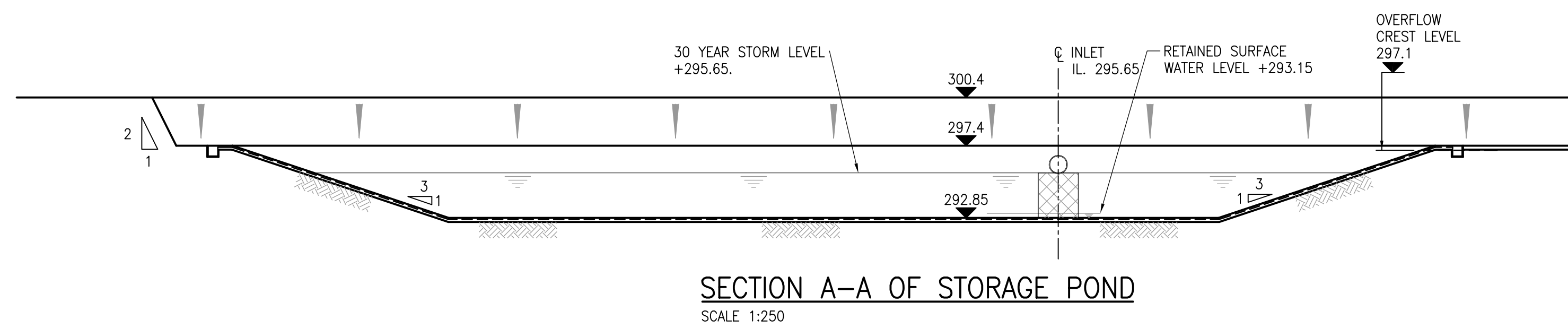
DO NOT SCALE

COMMERCIAL IN CONFIDENCE

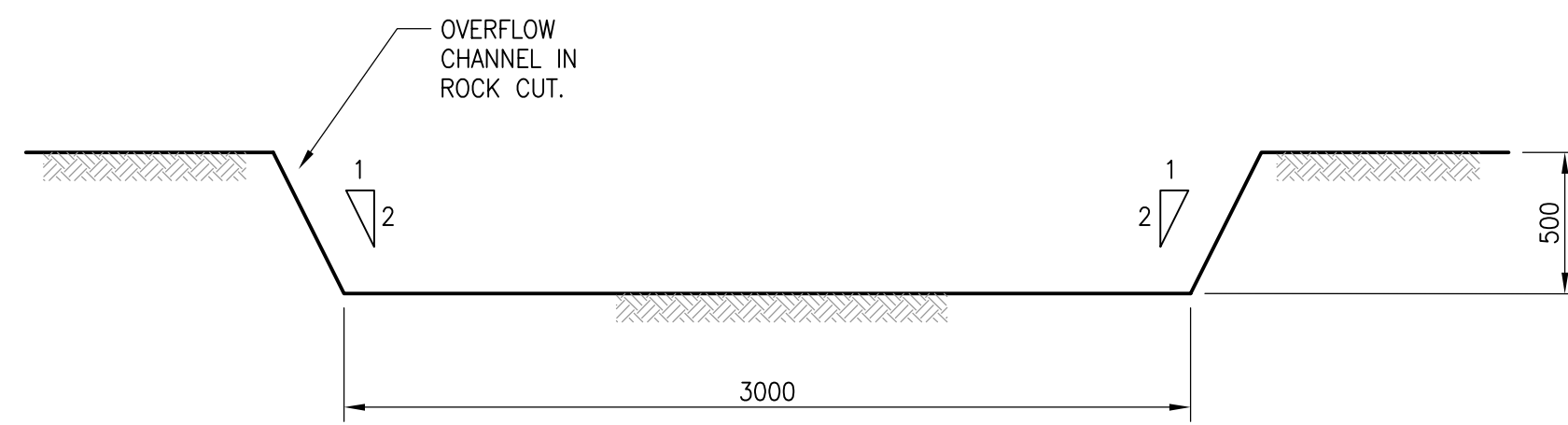
NOTES:

- DIMENSIONS ARE IN MILLIMETERS UNLESS OTHERWISE STATED.
- REFERENCE DESIGN DRAWINGS TO BE READ IN CONJUNCTION WITH EMPLOYER'S REQUIREMENTS AND REFERENCE DESIGN SPECIFICATIONS.
- BACKGROUND SURVEY MAPPING BASED ON ORDINANCE SURVEY MAPPING SERIES G893 (D.O.S 260) SHEETS 3 & 6 AND TRITAN SURVEYS 2006.
- CO-ORDINATES ARE TO ST HELENA LOCAL GRID.
- LAND LEVELS ARE RELATIVE TO MEAN SEA LEVEL.
- SPECIFIED PRODUCTS SHALL BE OR EQUAL APPROVED.
- CONCRETE GRADES TO BS8500 REINFORCED CONCRETE GRADE: RC40 MASS CONCRETE GRADE: GEN3 BLINDING CONCRETE GRADE: GEN1
- HIGH YIELD REINFORCEMENT WITH YIELD STRENGTH OF 460N/mm².
- FOR MANHOLE DETAILS SEE DRAWING No. 5048976-CI-01-2051.
- FOR POND PLAN SEE DRAWING No. 5048976-CI-01-1504
- DEPTH OF COVER TO PIPES IS TO BE 1200 MIN IN TRAFFICKED AREAS AND 700 MIN ELSEWHERE

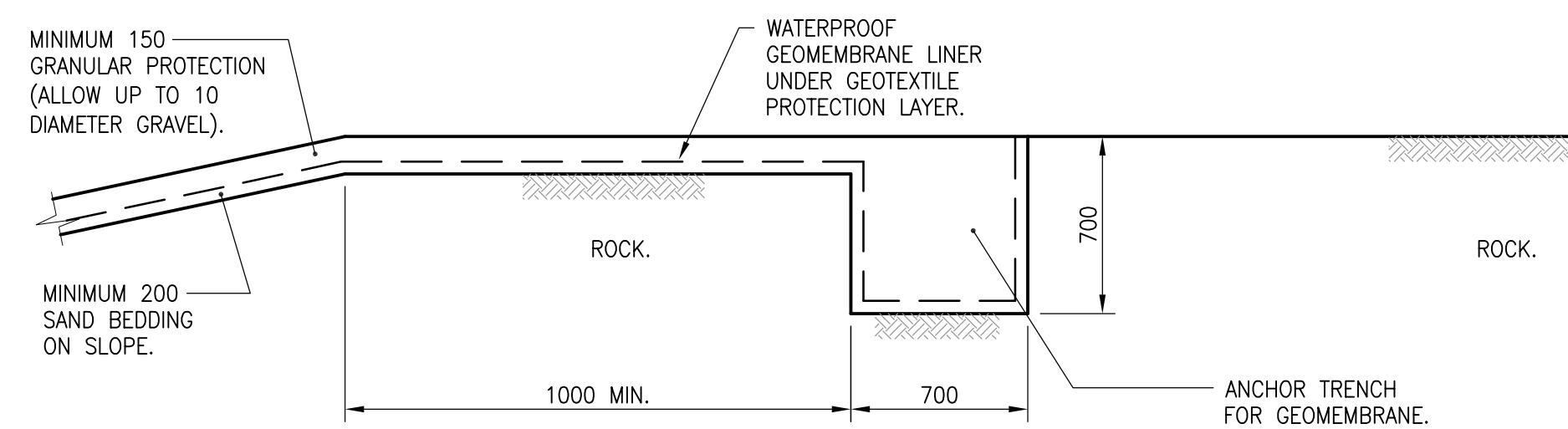
SURFACE WATER MANHOLE SCHEDULE					
REF.	SIZE	PIPE DIA.	COVER LEVEL	INVERT LEVEL	BEDDING
MH S01	1500 ₀ CONC	750 ₀ CONC	299.68	297.65	CONC SURROUND
MH S02	1500 ₀ CONC	750 ₀ CONC	299.62	297.63	CONC SURROUND
MH S03	1500 ₀ CONC	675 ₀ CONC	299.68	297.65	CONC SURROUND
MH S04	2100 ₀ CONC	1050 ₀ CONC	299.62	297.17	CONC SURROUND
MH S05	2100 ₀ CONC	1050 ₀ CONC	297.87	296.32	CONC SURROUND
MH S06	2100 ₀ CONC	1050 ₀ CONC	298.46	296.20	B
MH S07	2100 ₀ CONC	1050 ₀ CONC	299.05	296.07	B
MH S08	2100 ₀ CONC	1050 ₀ CONC	299.48	295.95	B
MH S09	2100 ₀ CONC	1050 ₀ CONC	300.13	295.82	B
MH S10	1200 ₀ CONC	300 ₀ CONC	301.52	300.32	CONC SURROUND
MH S11	1500 ₀ CONC	375 ₀ CONC	301.52	300.16	B
MH S12	2100 ₀ CONC	900 ₀ CONC	300.61	299.00	B
MH S13	2000SQ RC	1125 ₀ CONC	300.13	295.23	B
MH S14	1500SQ RC	300 ₀ CONC	297.40	293.10	B
MH S15	1200 ₀ CONC	300 ₀ CONC	297.40	293.00	B
MH S16	2400 ₀ CONC	1050 ₀ CONC	300.00	295.70	B



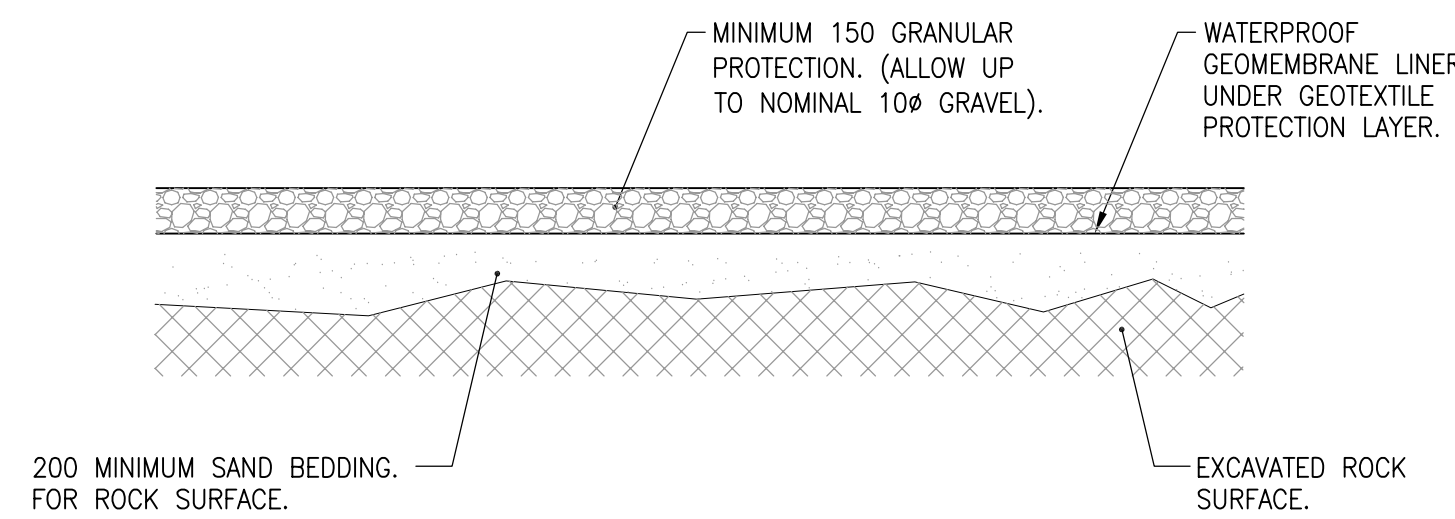
SECTION A-A OF STORAGE POND
SCALE 1:250



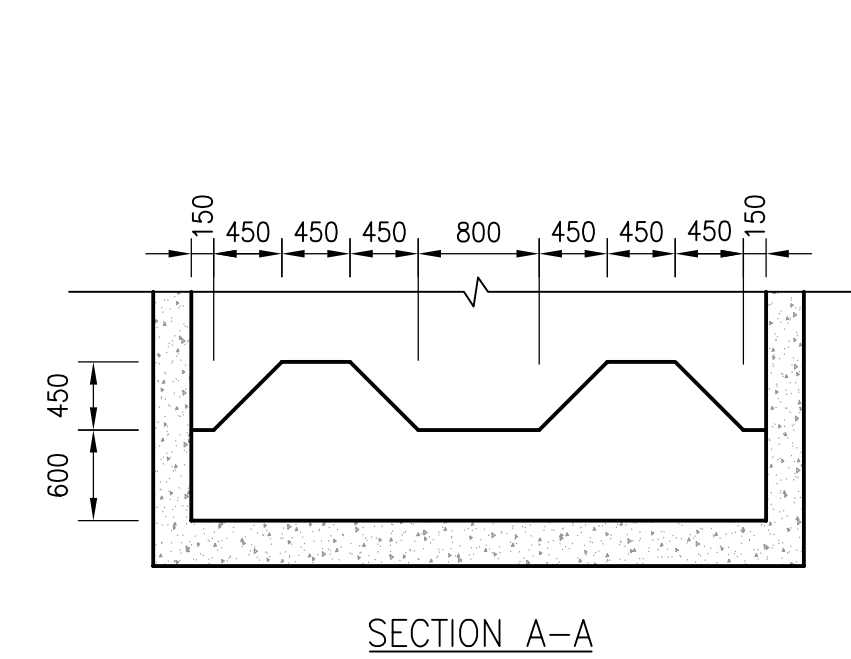
DETAIL OF OVERFLOW CHANNEL IN ROCK
SCALE 1:25



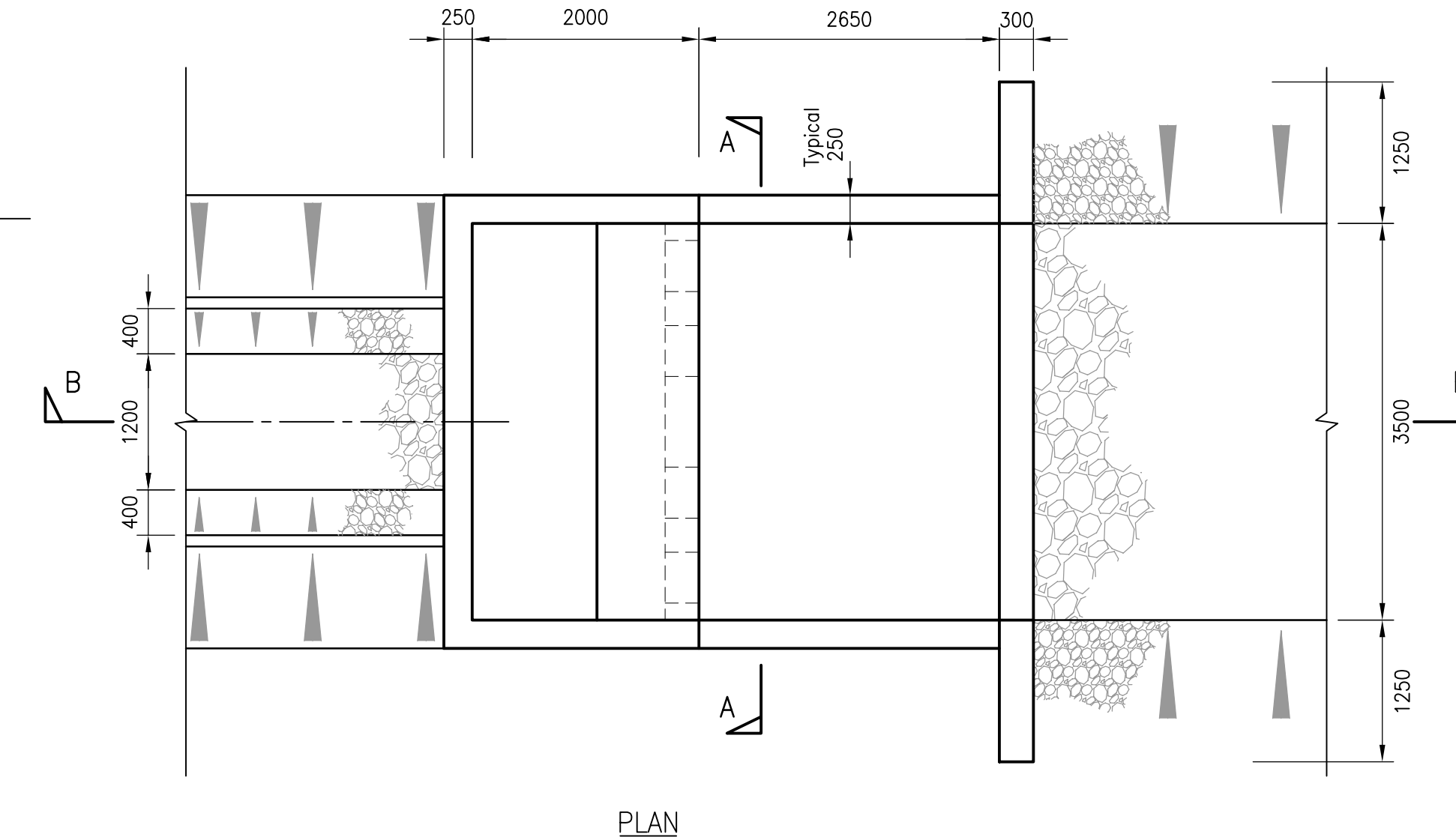
DETAIL OF CREST
SCALE 1:25



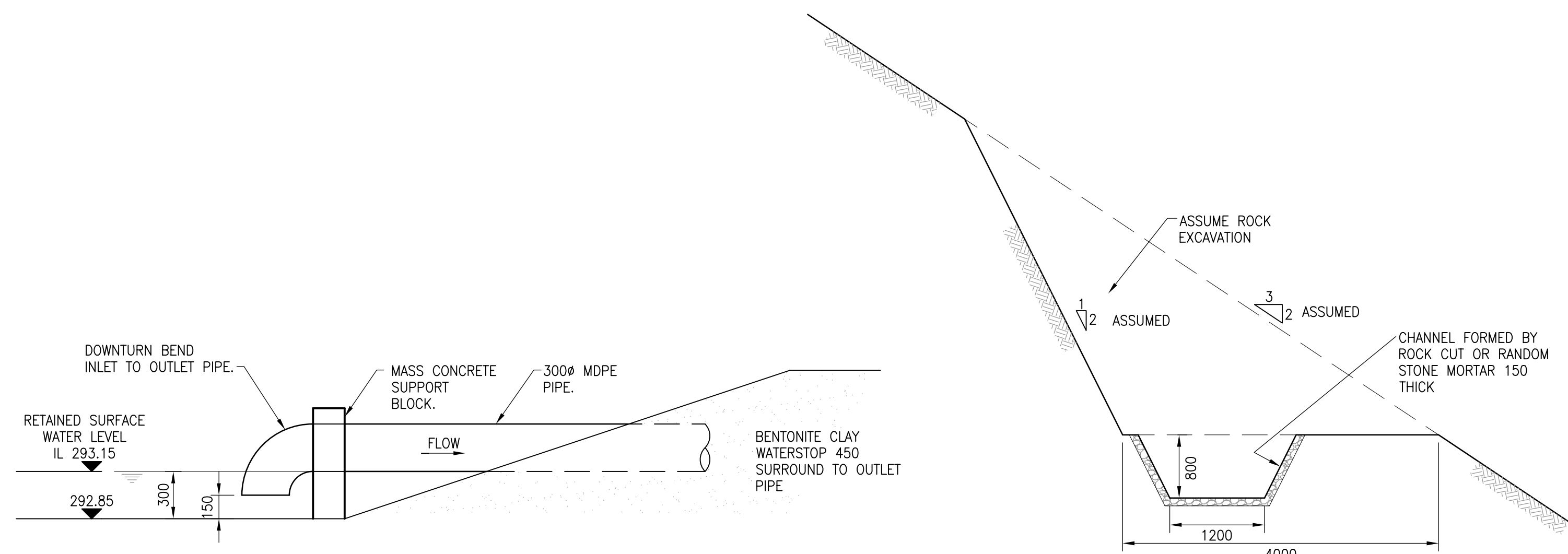
DETAIL OF LINER INSTALLATION
SCALE 1:25



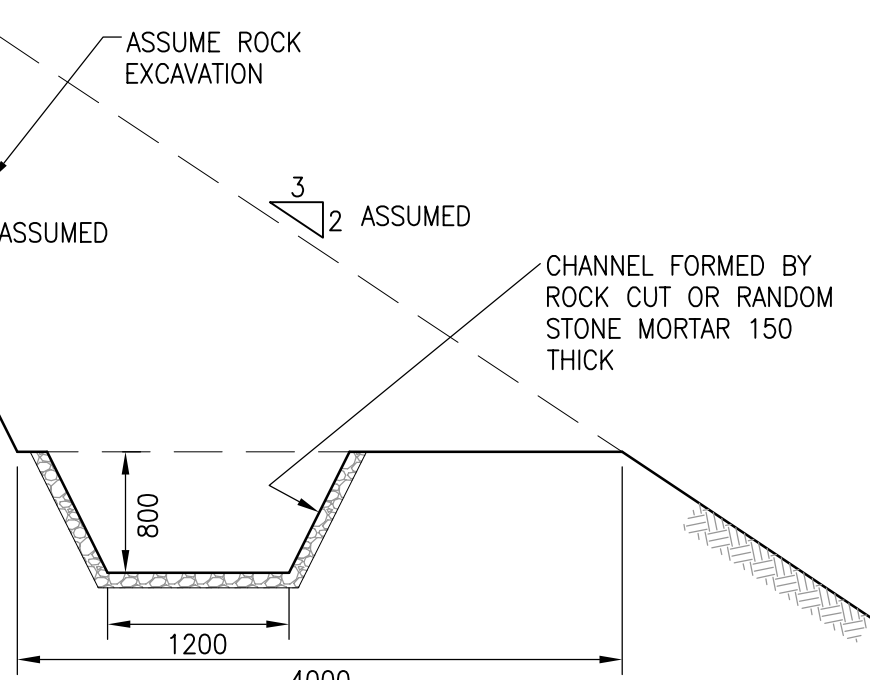
SECTION A-A



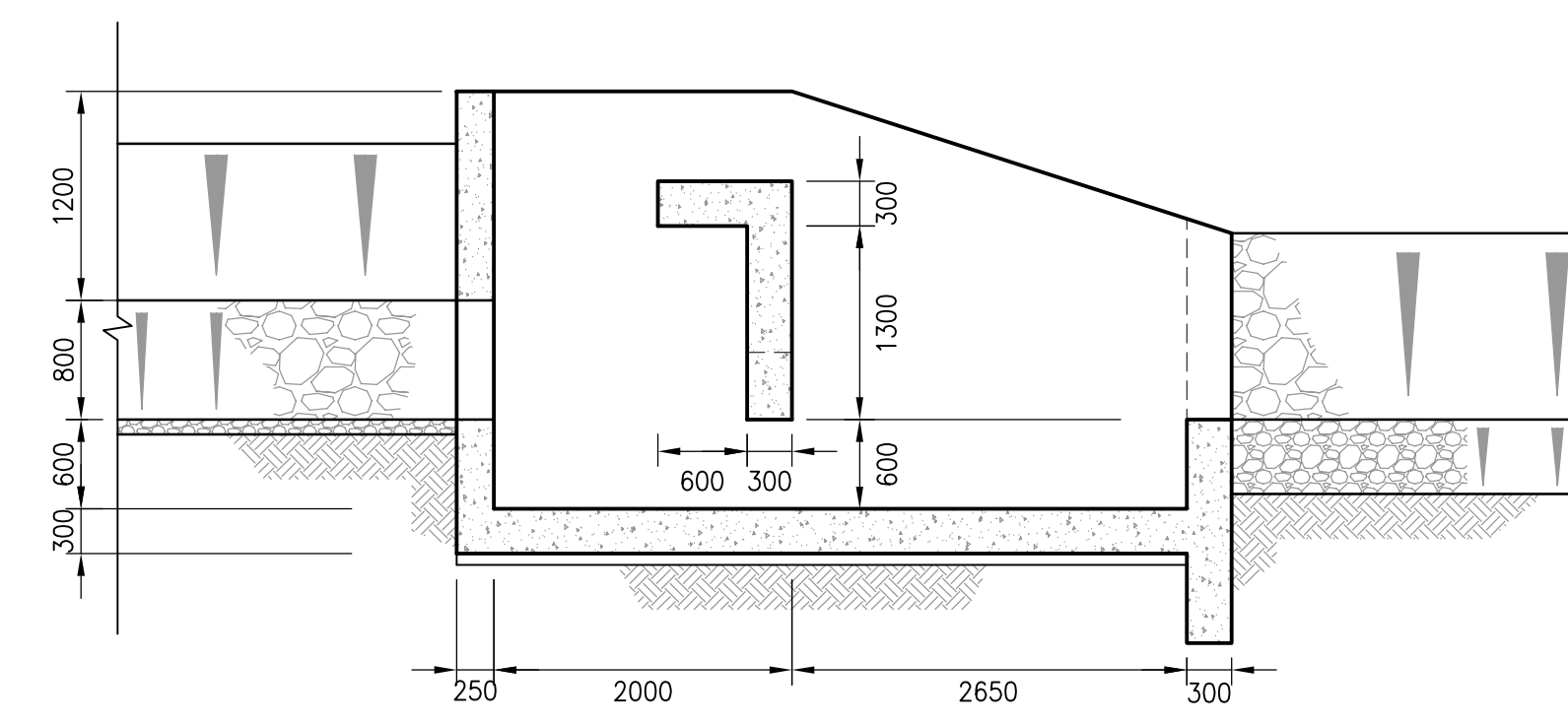
PLAN



DETAIL OF OUTLET FROM POND
SCALE 1:25



TYPICAL CROSS SECTION OF OUTFALL CHANNEL
SCALE 1:50



CHANNEL OUTFALL STRUCTURE
SCALE 1:50



Rev.	Description	By	Date	Chk'd	Auth
A	TENDER ISSUE	KT	2.5.07	TJM	RDJ

DFID

Consultant
Atkins Limited
Consulting Engineers,
Woodcote Grove,
Ashley Road,
Epsom, Surrey, England,
KT18 5BW

ATKINS
www: <http://www.atkinsglobal.com>
Fax (01372) 740055
Tel. (01372) 726140

Project
St Helena Reference Design

Title
**South Runway
SW Drainage Storage Pond
Section & Details**

Scale at A1	Drawn	Checked	Authorised	Status
As Shown	RH	JAW	RDJ	T

Drawing Number	Rev
5048976 - CI - 01 - 1505	A