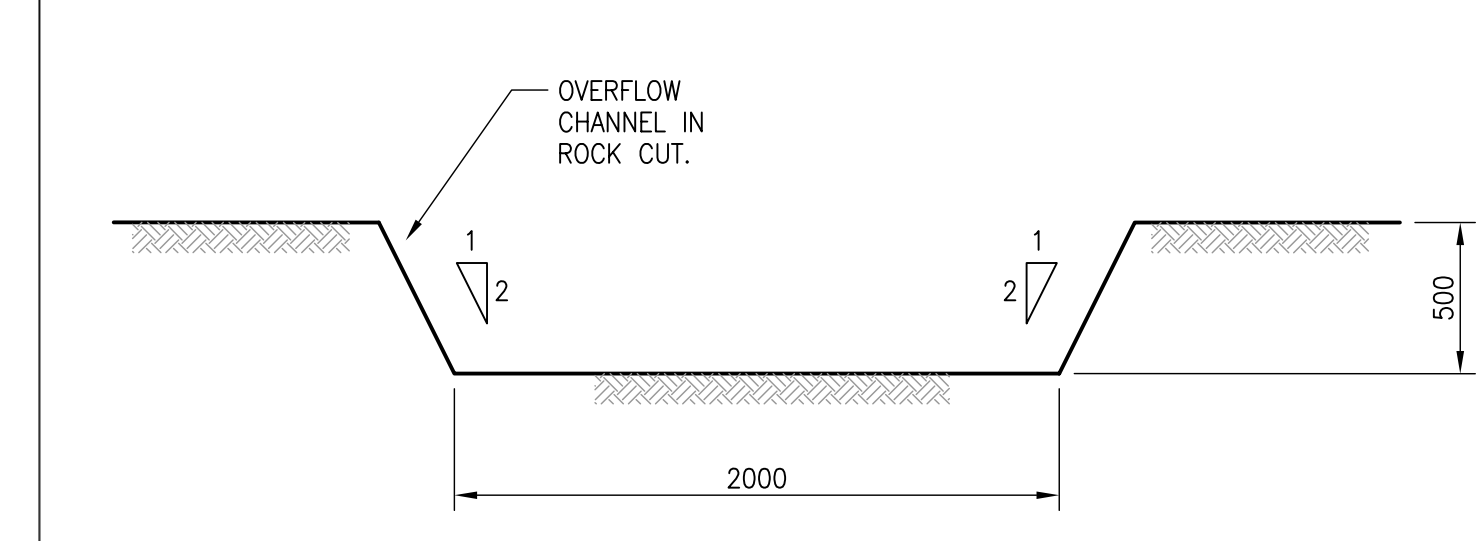
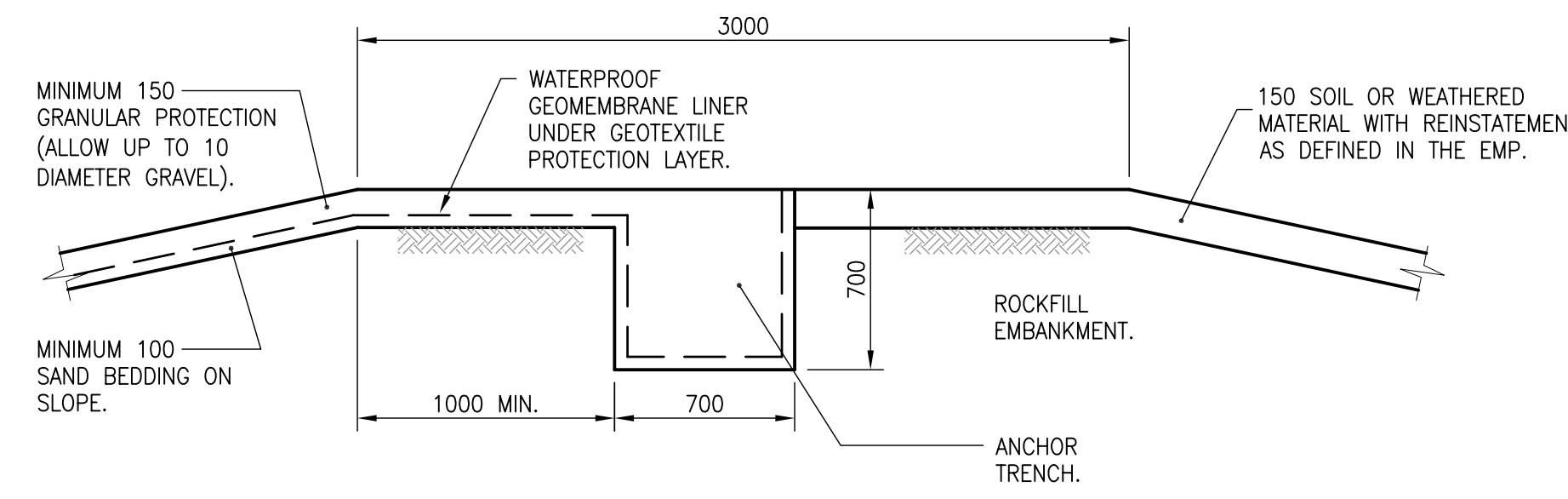


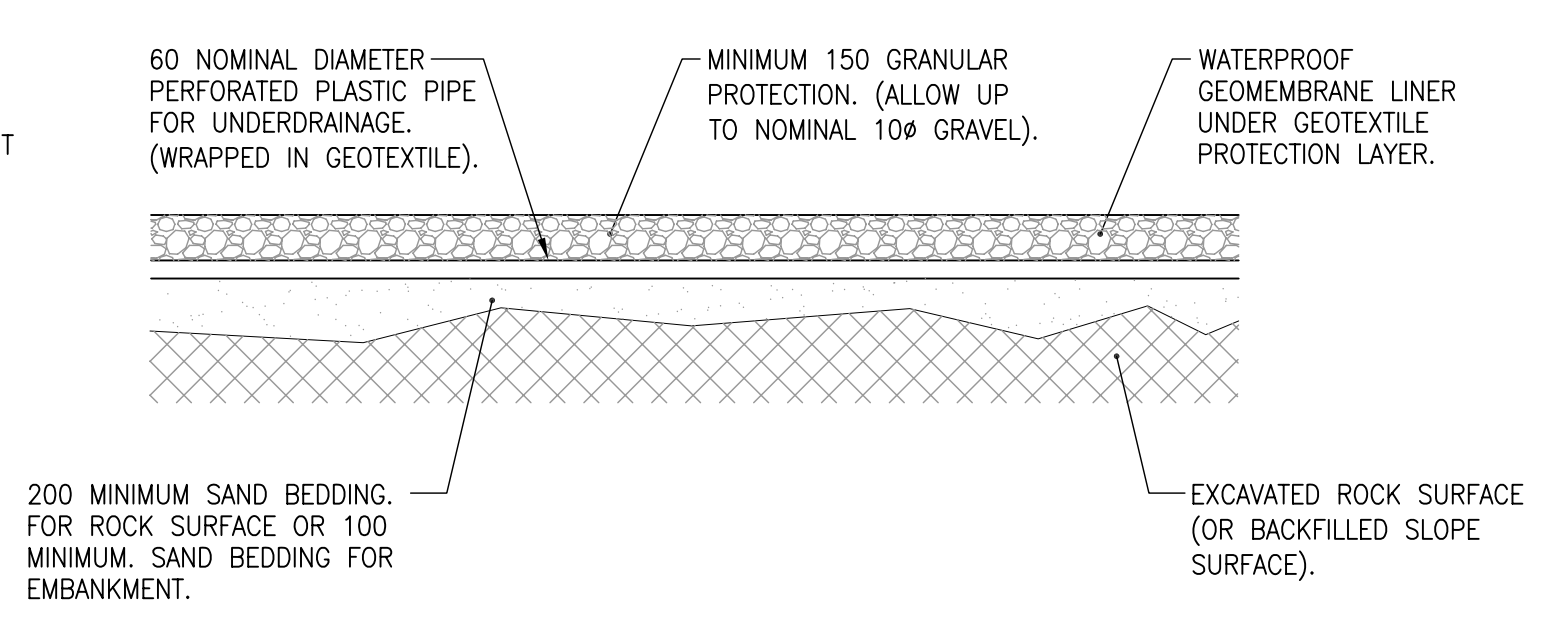
SECTION OF STORAGE POND
SCALE 1:50



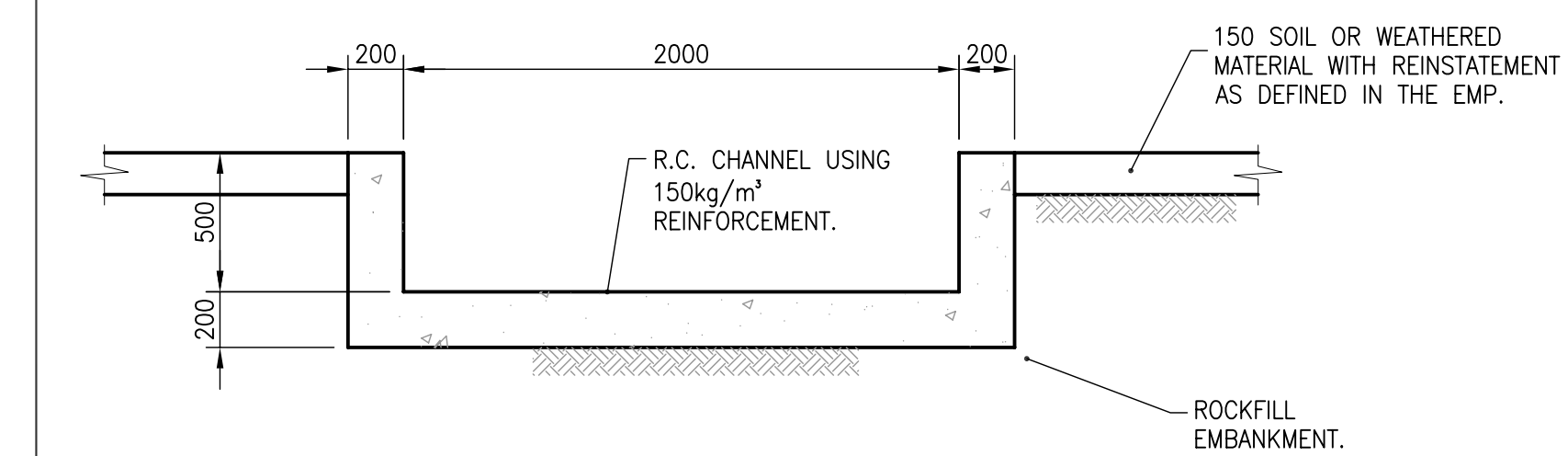
DETAIL OF OVERFLOW CHANNEL IN ROCK
SCALE 1:25



DETAIL OF CREST
SCALE 1:25



DETAIL OF LINER INSTALLATION
SCALE 1:25



DETAIL OF OVERFLOW CHANNEL ON EMBANKMENT
SCALE 1:25

SW DRAINAGE MANHOLE SCHEDULE					
MANHOLE	SIZE	COVER LEVEL	UPSTREAM PIPE DIA.	INVERT LEVEL	UPSTREAM BEDDING
MH N 01	900 SQ *	299.32	675	297.20	CONC. SURROUND
MH N 02	1500 DIA.	299.32	675	297.18	CONC. SURROUND
MH N 03	900 SQ. *	299.32	675	297.20	CONC. SURROUND
MH N 04	1500 DIA.	299.32	675	297.02	CONC. SURROUND
MH N 05	1800 DIA.	297.76	900	296.47	CONC. SURROUND
MH N 06	1800 DIA.	298.51	900	296.13	B
MH N 07	1800 DIA.	299.26	900	296.00	B
MH N 08	1800 DIA.	299.80	900	295.89	B
MH N 09	1800 DIA.	296.50	900	294.63	B
MH N 10	2000 SQ.	296.00	900	294.55	B
MH N 11	2000 SQ.	295.00	900	294.50	cover with embankment
MH N 12	1500 SQ.	291.50	300	290.30	B
MH N 13	1200 DIA.	291.50	300	290.10	B
MH N 14	1200 DIA.	291.50	300	290.05	B

NOTE:
* FOR INFORMATION SEE DETAIL DRAWING No. 5048976-CI-01-2050



DO NOT SCALE

COMMERCIAL IN CONFIDENCE

- NOTES:
- DIMENSIONS ARE IN MILLIMETERS UNLESS OTHERWISE STATED.
 - REFERENCE DESIGN DRAWINGS TO BE READ IN CONJUNCTION WITH EMPLOYER'S REQUIREMENTS AND REFERENCE DESIGN SPECIFICATIONS.
 - BACKGROUND SURVEY MAPPING BASED ON ORDANANCE SURVEY MAPPING SERIES G893 (D.O.S 260) SHEETS 3 & 6 AND TRITAN SURVEY
 - CO-ORDINATES ARE TO ST HELENA LOCAL GRID.
 - LAND LEVELS ARE RELATIVE TO MEAN SEA LEVEL.
 - SPECIFIED PRODUCTS SHALL BE OR EQUAL APPROVED.
 - CONCRETE GRADES TO BS8500
REINFORCED CONCRETE GRADE: RC40
MASS CONCRETE GRADE: GEN3
BLINDING CONCRETE GRADE: GEN1
 - HIGH YIELD REINFORCEMENT WITH YIELD STRENGTH OF 460N/mm².
 - FOR MANHOLE DETAILS SEE DRAWING No. 5048976-CI-01-2051.
 - FOR POND PLAN SEE DRAWING No. 5048976-CI-01-1500

Rev.	Description	By	Date	Chk'd	Auth
B	MINOR AMENDMENTS	KJS	8.5.07	TJM	RDJ
A	TENDER ISSUE	KT	2.5.07	TJM	RDJ
Tender		A	2.5.07	RDJ	
Review & Pricing		-	09.03.07	RDJ	
Code	Purpose of issue	Rev	Date	Authorised	

Client

DFID

Consultant
Atkins Limited
Consulting Engineers,
Woodcote Grove,
Ashley Road,
Epsom, Surrey, England,
KT18 5BW
www: <http://www.atkinsglobal.com>
Fax (01372) 740055
Tel. (01372) 726140

Project
St Helena Reference Design

Title
**North Runway SW Drainage Storage Pond
Section & Details**

Scale at A1	Drawn	Checked	Authorised	Status
As Shown	RH	JAW	RDJ	T
	Date 07.02.07	Date 09.03.07	Date 09.03.07	

Drawing Number
5048976 - CI - 01 - 1501

Rev
B