

DO NOT SCALE

COMMERCIAL IN CONFIDENCE

NOTES

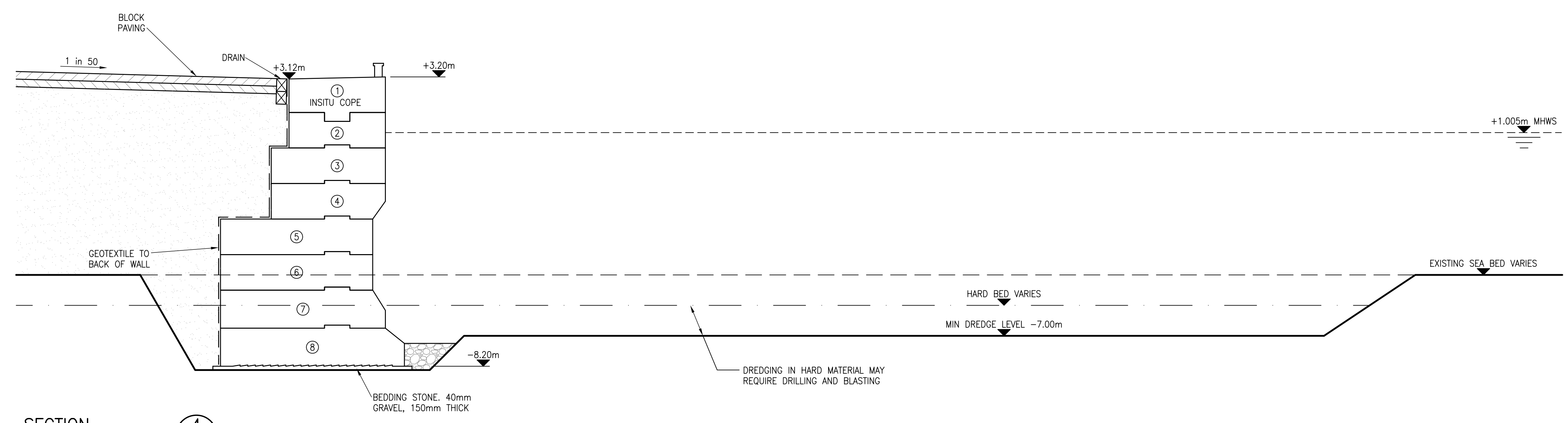
- ALL DIMENSIONS ARE IN MILLIMETRES UNLESS STATED OTHERWISE.
- REFERENCE DESIGN DRAWINGS TO BE READ IN CONJUNCTION WITH EMPLOYER'S REQUIREMENTS AND REFERENCE DESIGN SPECIFICATIONS.
- BACKGROUND SURVEY MAPPING BASED ON TRITAN SURVEYS.
- COORDINATES ARE TO ST HELENA LOCAL GRID.
- BATHYMETRIC LEVELS ARE IN METRES TO CHART DATUM. THE CONTRACTOR SHALL ESTABLISH A BENCH MARK TO CHART DATUM.
- WIDTH OF BLOCKS TO BE LESS THAN TWICE THE HEIGHT.

DRAWING REFERENCES

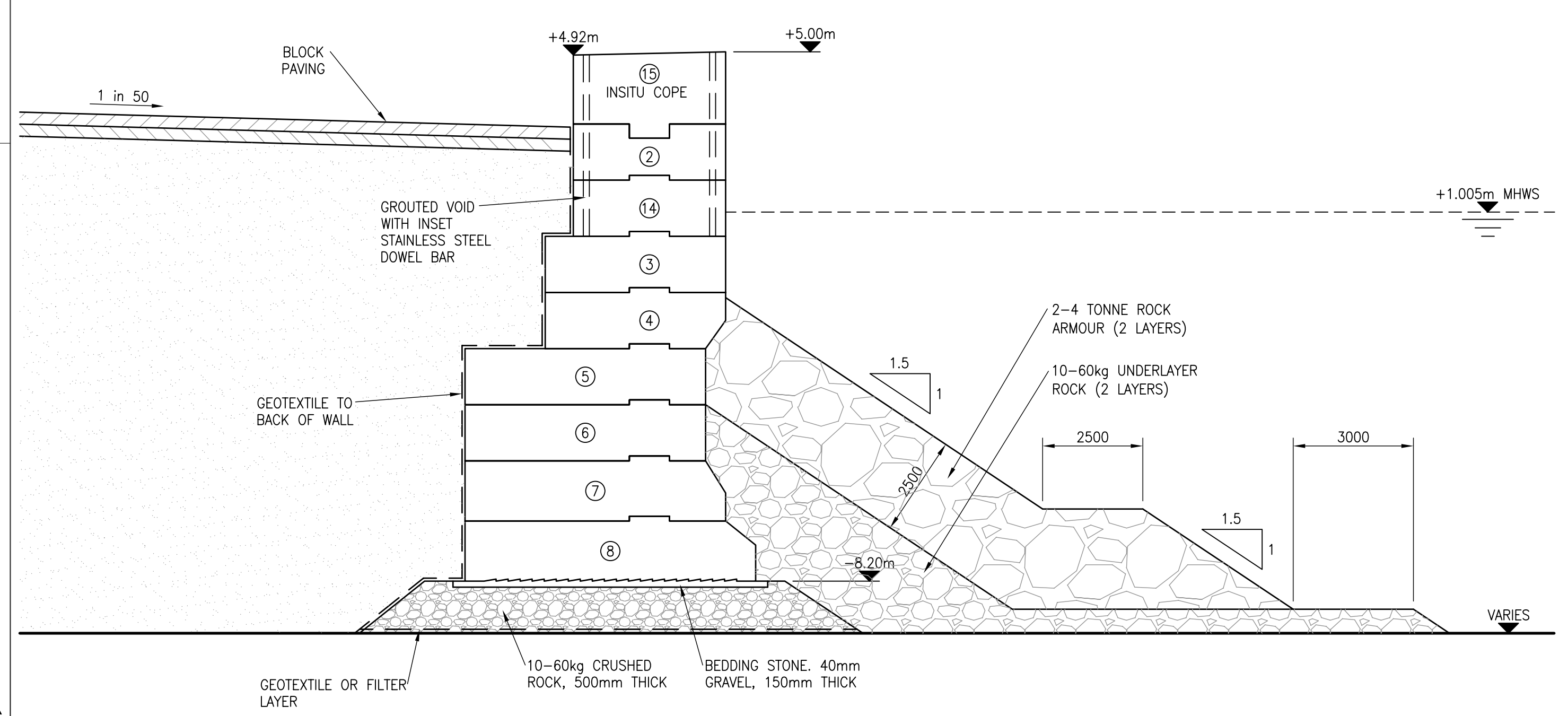
- CI-01-1201 GENERAL ARRANGEMENT
- CI-01-1202 LOCATION PLAN
- CI-01-1203 SECTIONS
- CI-01-1204 SECTIONS AND DETAILS
- CI-01-1205 SERVICES ARRANGEMENT

DOCUMENT REFERENCES

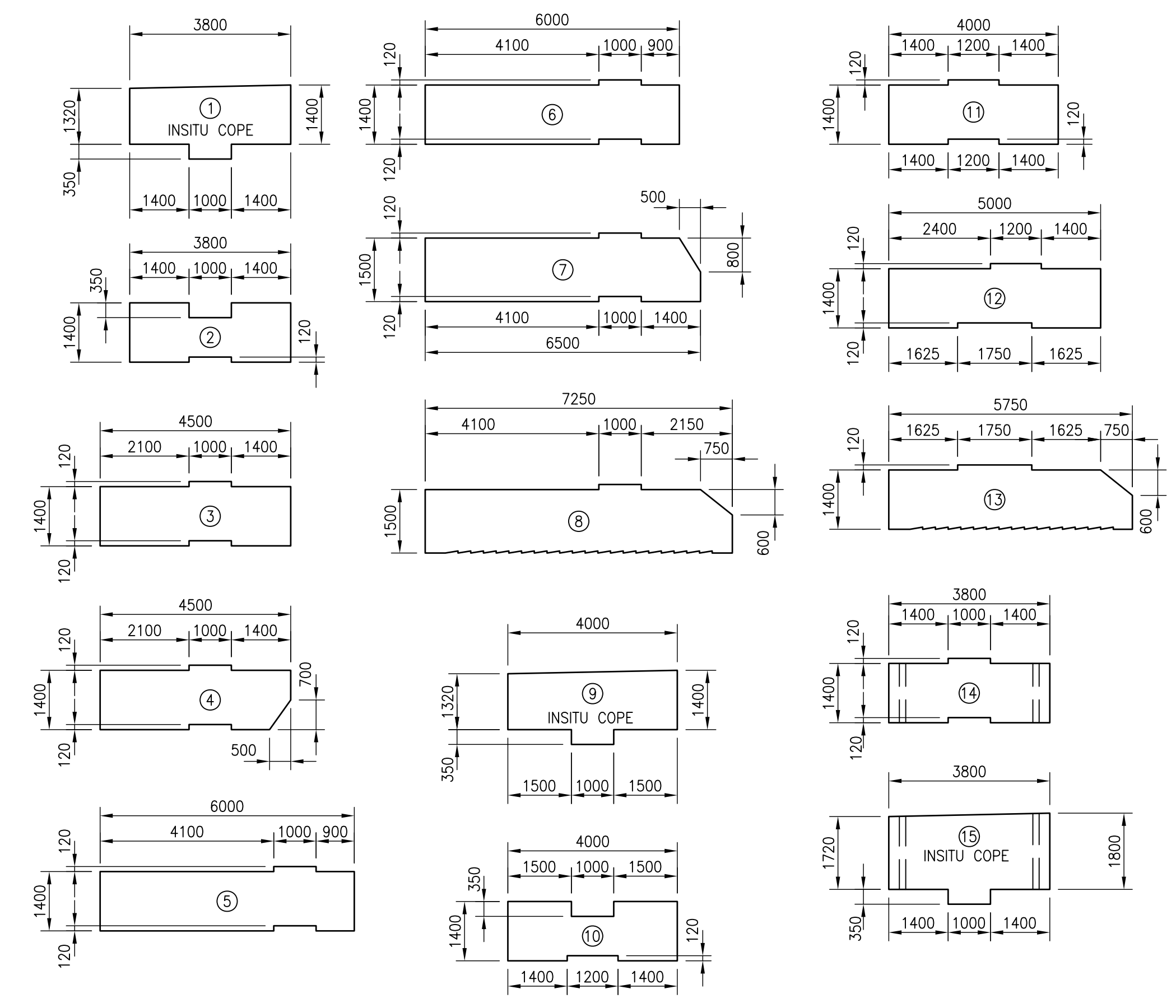
- 5048976/5830 REFERENCE DESIGN SPECIFICATION FOR ACCESS ROAD
- 5048976/5831 REFERENCE DESIGN SPECIFICATION FOR RUPERT'S BAY WHARF



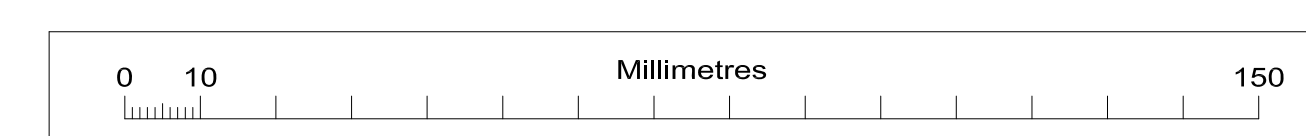
SECTION 4
Scale 1:100



SECTION 5
Scale 1:100



CONCRETE WALL BLOCK DETAILS
SCALE 1:100



Rev.	Description	By	Date	Chk'd	Auth
B	TENDER ISSUE	KT	03.05.07	TJM	RDJ

Code	Purpose of issue	Rev	Date	Authorised
Tender		B	03.05.07	RDJ
Review and Pricing		A	16.2.07	RDJ
Preliminary		-	-	RJ

Client

DFID

Consultant
Atkins Limited 
 Consulting Engineers,
 Woodcote Grove,
 Ashley Road,
 Epsom, Surrey, England,
 KT18 5BW

ATKINS
 www: <http://www.atkinsglobal.com>
 Fax (01372) 740055
 Tel. (01372) 726140

Project
St Helena Reference Design

Scale at A1	Drawn	Checked	Authorised	Status	
1:50	RH	IDR	RJ	T	
Date	26/01/07	Date	26/01/07	Date	26/01/07
Drawing Number	5048976 - CI - 01 - 1204			Rev	B