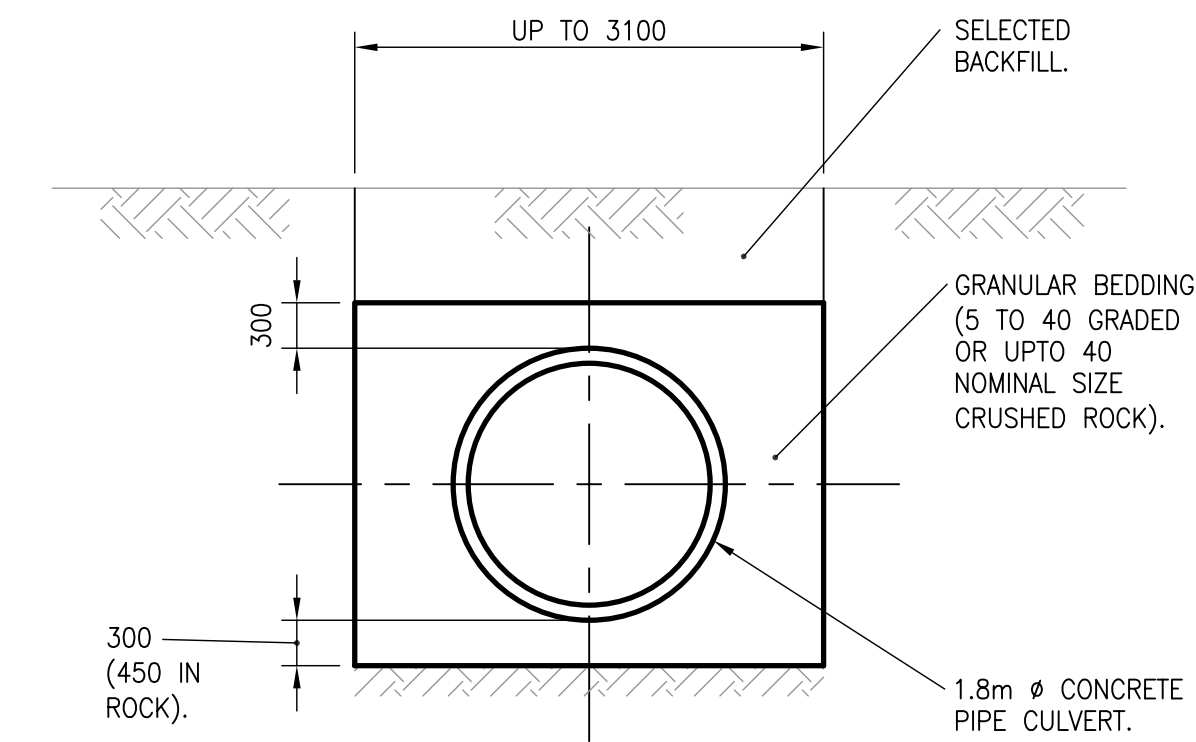


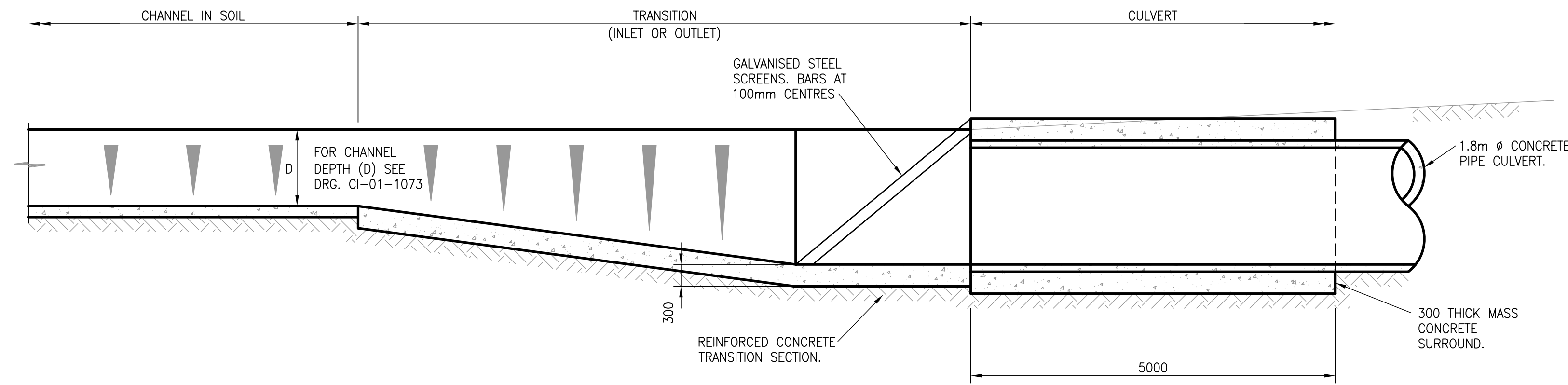
DO NOT SCALE

COMMERCIAL IN CONFIDENCE

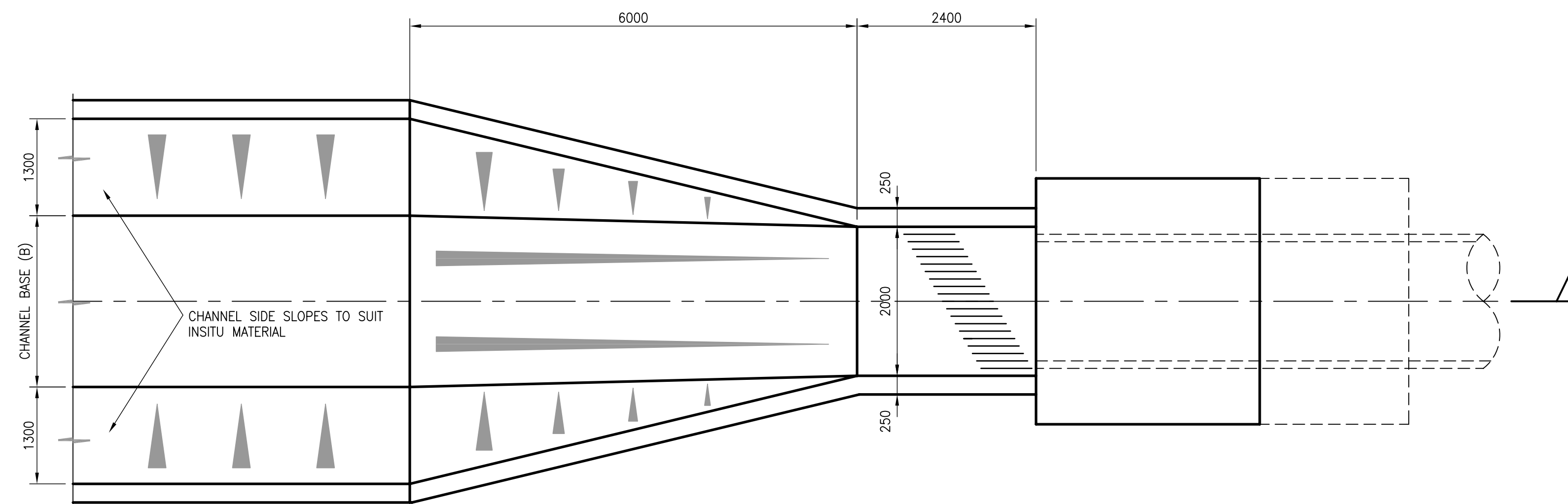
- DIMENSIONS ARE IN MILLIMETERS UNLESS OTHERWISE STATED.
- REFERENCE DESIGN DRAWINGS TO BE READ IN CONJUNCTION WITH EMPLOYER'S REQUIREMENTS AND REFERENCE DESIGN SPECIFICATIONS.
- BACKGROUND SURVEY MAPPING BASED ON ORDNANCE SURVEY MAPPING SERIES G893 (D.O.S 260) SHEETS 3 & 6 AND TRITAN SURVEY 2006.
- CO-ORDINATES ARE TO ST HELENA LOCAL GRID.
- LAND LEVELS ARE RELATIVE TO MEAN SEA LEVEL.
- SPECIFIED PRODUCTS SHALL BE OR EQUAL APPROVED.
- CONCRETE GRADES TO BS8500
REINFORCED CONCRETE GRADE: RC40
MASS CONCRETE GRADE: GEN3
BLINDING CONCRETE GRADE: GEN1
- HIGH YIELD REINFORCEMENT WITH YIELD STRENGTH OF 460N/mm².
- REINFORCEMENT DENSITY OF 150kg/m³.
- FOR LAYOUTS SEE DRAWINGS: 5048976-CI-01-1011 to 1020.
- DEPTH OF COVER TO PIPES IS TO BE 1200 MIN IN TRAFFICKED AREAS AND 700 MIN ELSEWHERE.



TYPICAL CULVERT BEDDING
Scale 1:50



SECTION
Scale 1:50



PLAN
Scale 1:50

C	MINOR REVISIONS	BnH	26.04.07	TJM	RDJ
B	TENDER ISSUE	KT	02.04.07	TJM	RDJ
A	TITLE REVISED. NOTE 5 ADDED AND MINOR REVISIONS	WMS	09.03.07	JAW	RDJ

Rev.	Description	By	Date	Chk'd	Auth

Tender	B	02.04.07	RDJ	
REVIEW & PRICING	-	26.01.07	RDJ	
Code	Purpose of issue	Rev	Date	Authorised

Client
DFID

Consultant
Atkins Limited 
Consulting Engineers,
Woodcote Grove,
Ashley Road,
Epsom, Surrey, England,
KT18 5BW
www: <http://www.atkinsglobal.com>
Fax (01372) 740055
Tel. (01372) 726140

Project
St Helena Reference Design

Title
**Airfield Drainage
Stream Diversion
Inlet and Outlet for Culvert**

Scale at A1	Drawn	Checked	Authorised	Status
As Shown	RH	JW	RDJ	T
	Date 26/01/07	Date 26/01/07	Date 26/01/07	

Drawing Number
5048976 - CI - 01 - 1077

