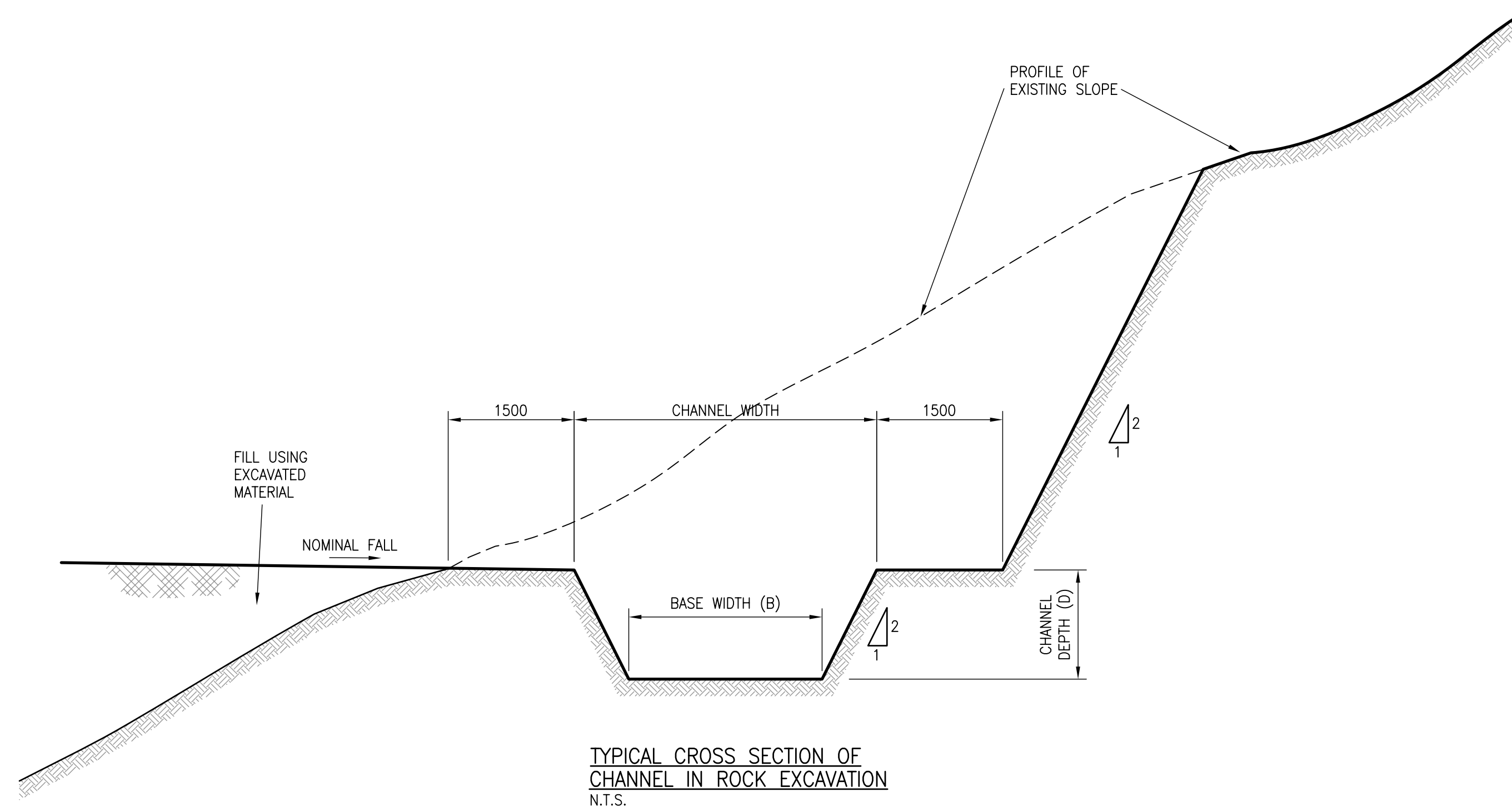


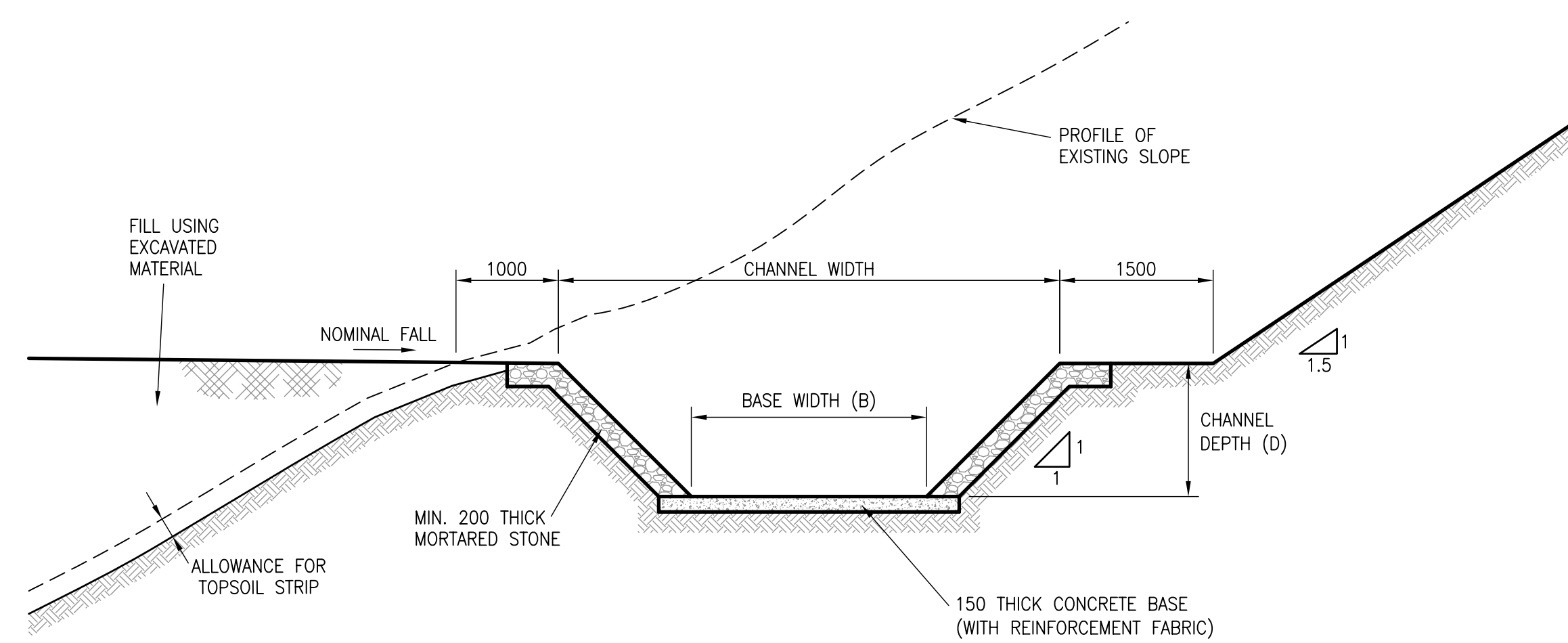
DO NOT SCALE

COMMERCIAL IN CONFIDENCE

- DIMENSIONS ARE IN MILLIMETERS UNLESS OTHERWISE STATED.
- REFERENCE DESIGN DRAWINGS TO BE READ IN CONJUNCTION WITH EMPLOYER'S REQUIREMENTS AND REFERENCE DESIGN SPECIFICATIONS.
- BACKGROUND SURVEY MAPPING BASED ON ORDNANCE SURVEY MAPPING SERIES G893 (D.O.S 260) SHEETS 3 & 6 AND TRITAN SURVEY 2006.
- CO-ORDINATES ARE TO ST HELENA LOCAL GRID.
- LAND LEVELS ARE RELATIVE TO MEAN SEA LEVEL.
- SPECIFIED PRODUCTS SHALL BE OR EQUAL APPROVED.
- CONCRETE GRADES TO BS8500
REINFORCED CONCRETE GRADE: RC40
MASS CONCRETE GRADE: GEN3
BLINDING CONCRETE GRADE: GEN1
- HIGH YIELD REINFORCEMENT WITH YIELD STRENGTH OF 460N/mm².
- REINFORCEMENT DENSITY OF 260kg/m².
- FOR LAYOUTS SEE DRAWINGS: 5048976-CI-01-1011 to 1020.

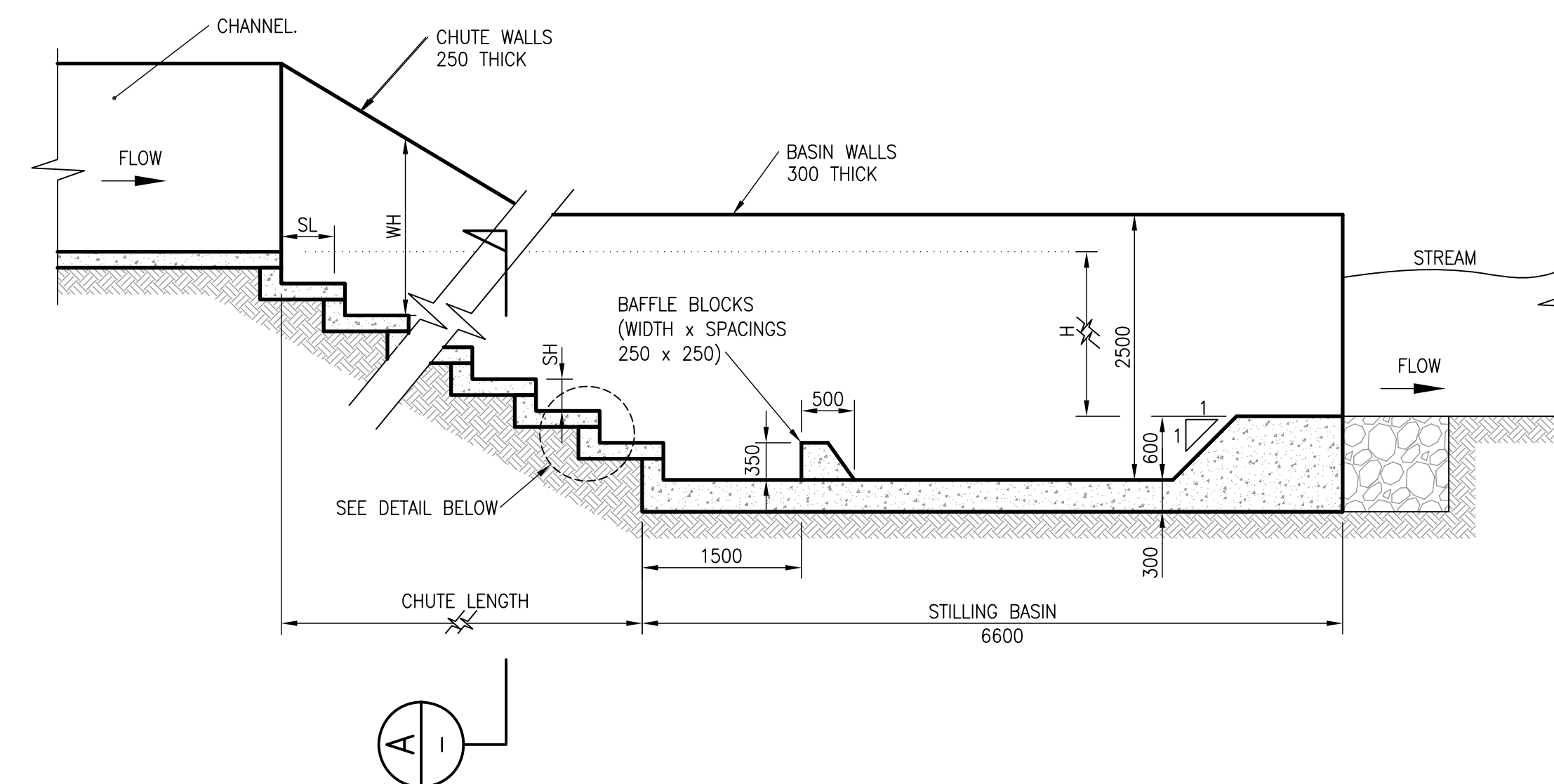


TYPICAL CROSS SECTION OF CHANNEL IN ROCK EXCAVATION N.T.S.



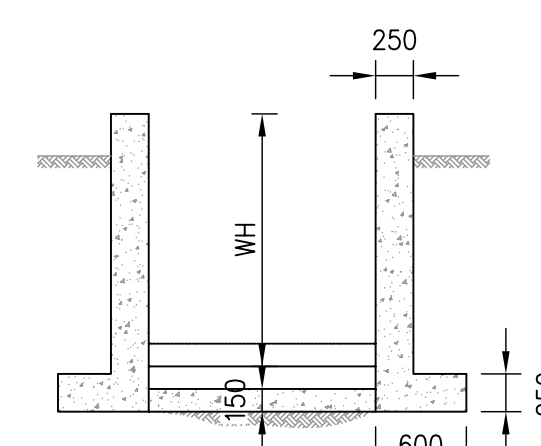
TYPICAL CROSS SECTION OF CHANNEL IN SOIL EXCAVATION N.T.S.

CHANNEL TABLE		
CHANNEL TYPE	BASE WIDTH (B) (mm)	DEPTH (D) (mm)
A	1050	800
B	2300	1300
C	800	500

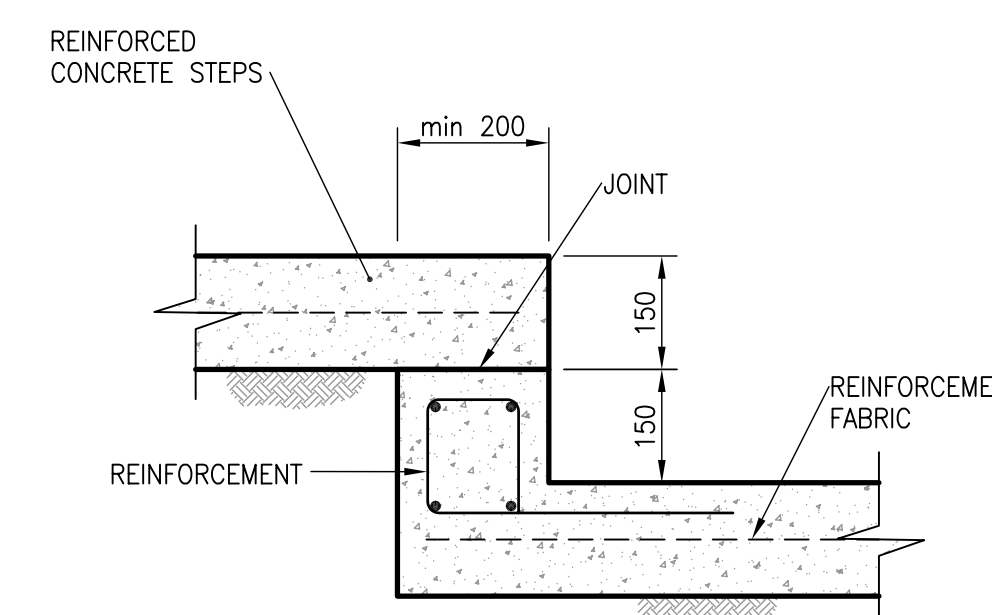


CHUTE TYPE	CHUTE LENGTH (m)	STEP LENGTH (mm) (SL)	STEP HEIGHT (mm) (SH)	CHUTE AND BASIN WIDTH (mm)	OVERALL CHUTE HEIGHT (m) (H)	WALL HEIGHT (mm) (WH)
A	25	1050	300	2300	7	1000
B	50	600	300	2300	25	1000

TYPICAL STEPPED CHUTE N.T.S.



SECTION A-A 1:50



TYPICAL STEP DETAIL N.T.S.



Rev.	Description	By	Date	Chk'd	Auth
B	Tender Issue	KT	25.07	TJM	RDJ
A	Section A-A Added & Minor Revisions	WMS	09.03.07	JAW	RDJ
Tender		B	25.07		RDJ
Review & Pricing		-	26/01/07		RDJ
Code	Purpose of issue	Rev	Date	Authorised	

Client

DFID

Consultant
Atkins Limited
 Consulting Engineers,
 Woodcote Grove,
 Ashley Road,
 Epsom, Surrey, England,
 KT18 5BW
 www: <http://www.atkinsglobal.com>
 Fax (01372) 740055
 Tel. (01372) 726140

Project
St Helena Reference Design

Title
**Airfield Drainage
 Typical Channel and
 Stepped Chute Detail**

Scale at A1	Drawn	Checked	Authorised	Status
As Shown	WMS	JW	RDJ	T
	Date 26/01/07	Date 26/01/07	Date 26/01/07	

Drawing Number
5048976 - CI - 01 - 1073

Rev
B