

DO NOT SCALE

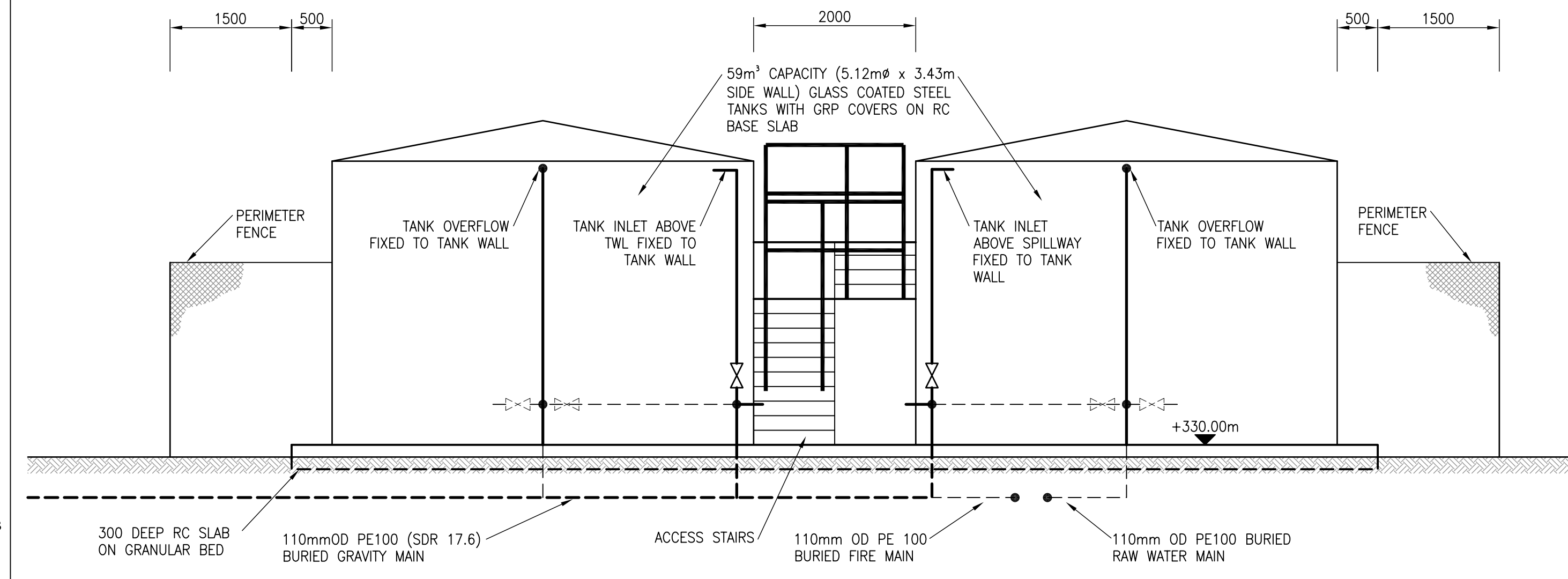
COMMERCIAL IN CONFIDENCE

- NOTES:
- DIMENSIONS ARE IN MILLIMETERS UNLESS OTHERWISE STATED.
 - REFERENCE DESIGN DRAWINGS TO BE READ IN CONJUNCTION WITH EMPLOYER'S REQUIREMENTS AND REFERENCE DESIGN SPECIFICATIONS.
 - BACKGROUND SURVEY MAPPING BASED ON ORDANANCE SURVEY MAPPING SERIES G893 (D.O.S 260) SHEETS 3 & 6 AND TRITAN SURVEYS 2006.
 - CO-ORDINATES ARE TO ST HELENA LOCAL GRID.
 - LAND LEVELS ARE RELATIVE TO MEAN SEA LEVEL.
 - SPECIFIED PRODUCTS SHALL BE OR EQUAL APPROVED.
 - CONCRETE GRADES TO BS8500
REINFORCED CONCRETE GRADE: RC40
MASS CONCRETE GRADE: GEN3
BLINDING CONCRETE GRADE: GEN1
 - HIGH YIELD REINFORCEMENT WITH YIELD STRENGTH OF 460N/mm².

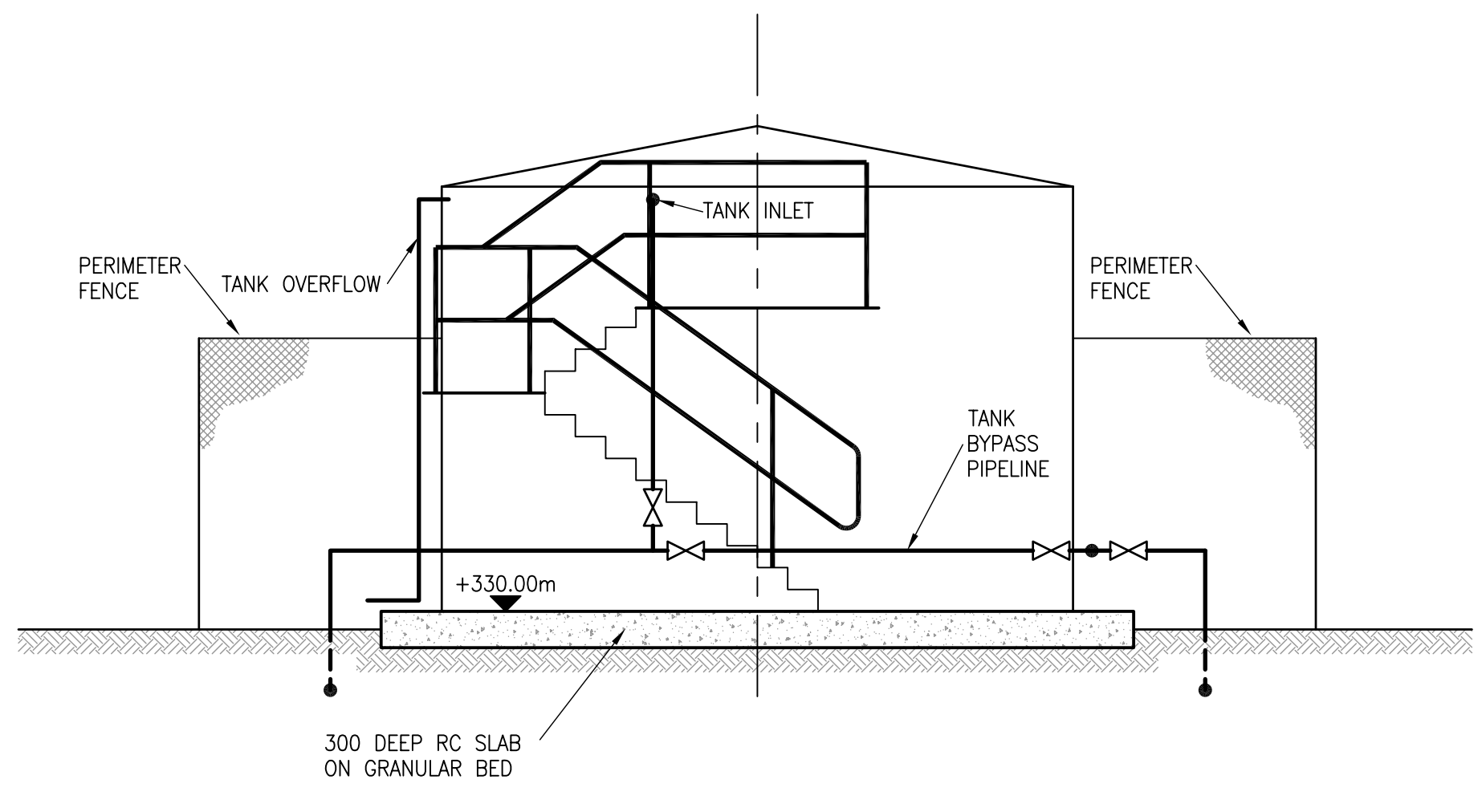
DRAWING REFERENCES:
 5048976-CI-01-1045
 5048976-CI-01-1046
 5048976-CI-01-2075

LEGEND

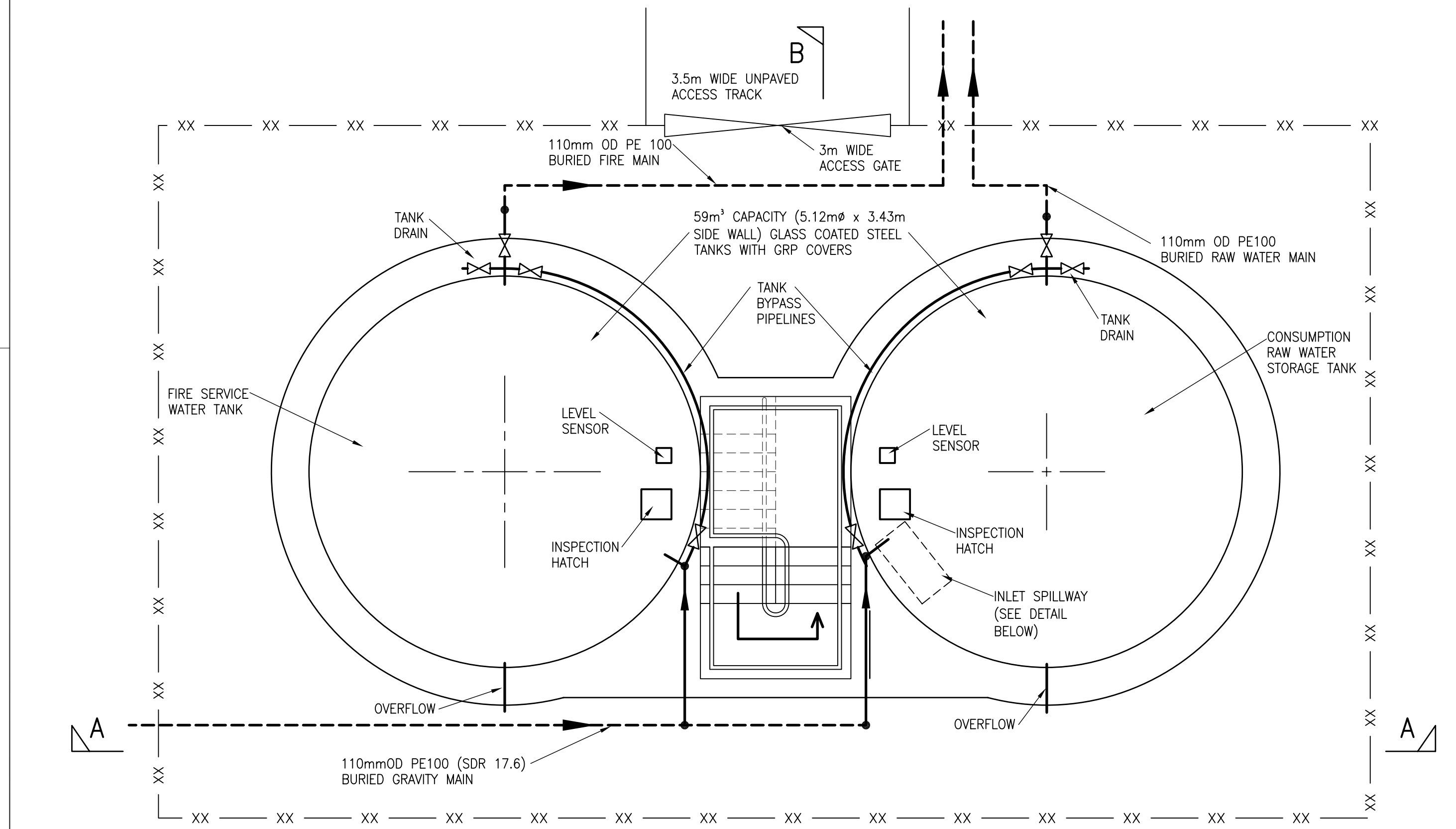
- XX 2.0m HIGH GENERAL SECURITY FENCE
- RC REINFORCED CONCRETE
- ID INSIDE DIAMETER
- OD OUTSIDE DIAMETER
- DI DUCTILE IRON
- PE POLYETHYLENE
- SDR STANDARD DIMENSION RATIO
- PRV PRESSURE REDUCING VALVE
- TWL TOP WATER LEVEL



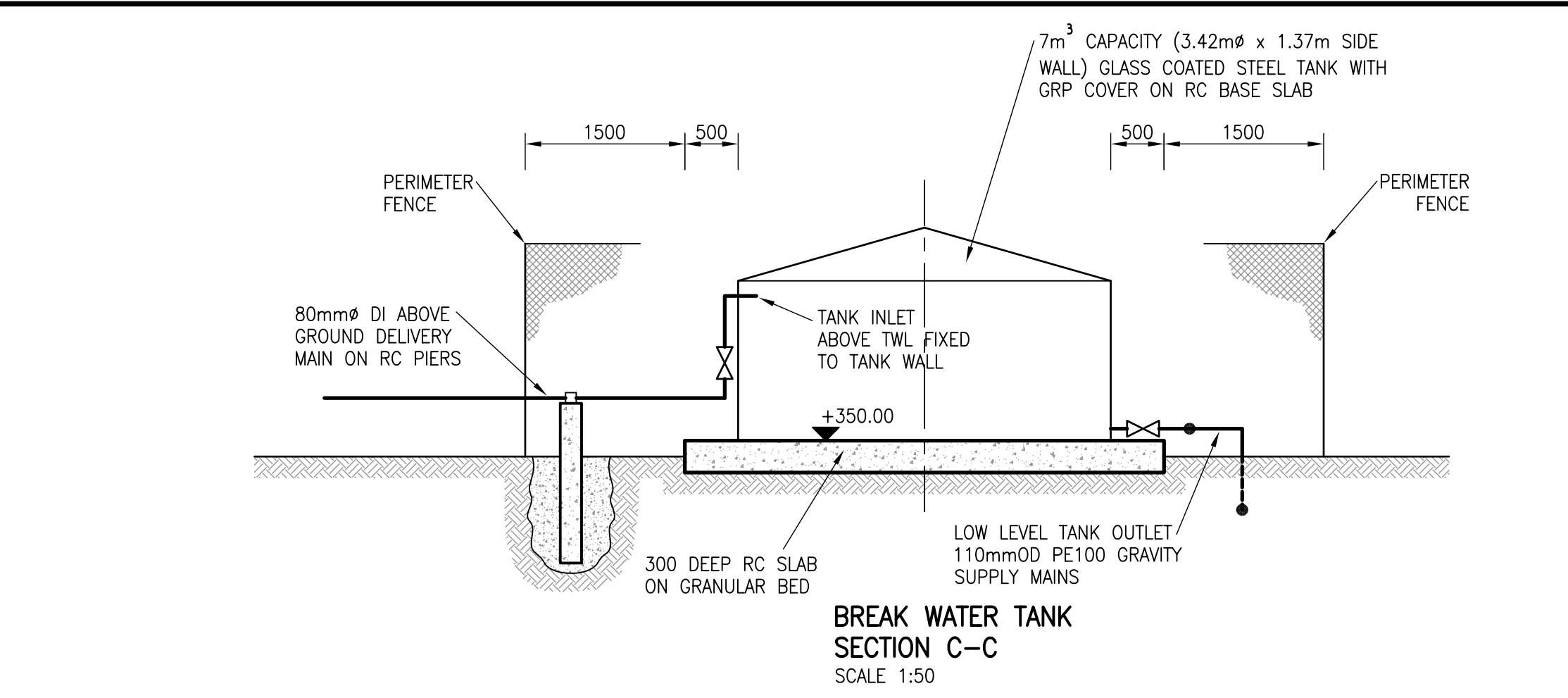
RAW WATER STORAGE TANKS SECTION A-A SCALE 1:50



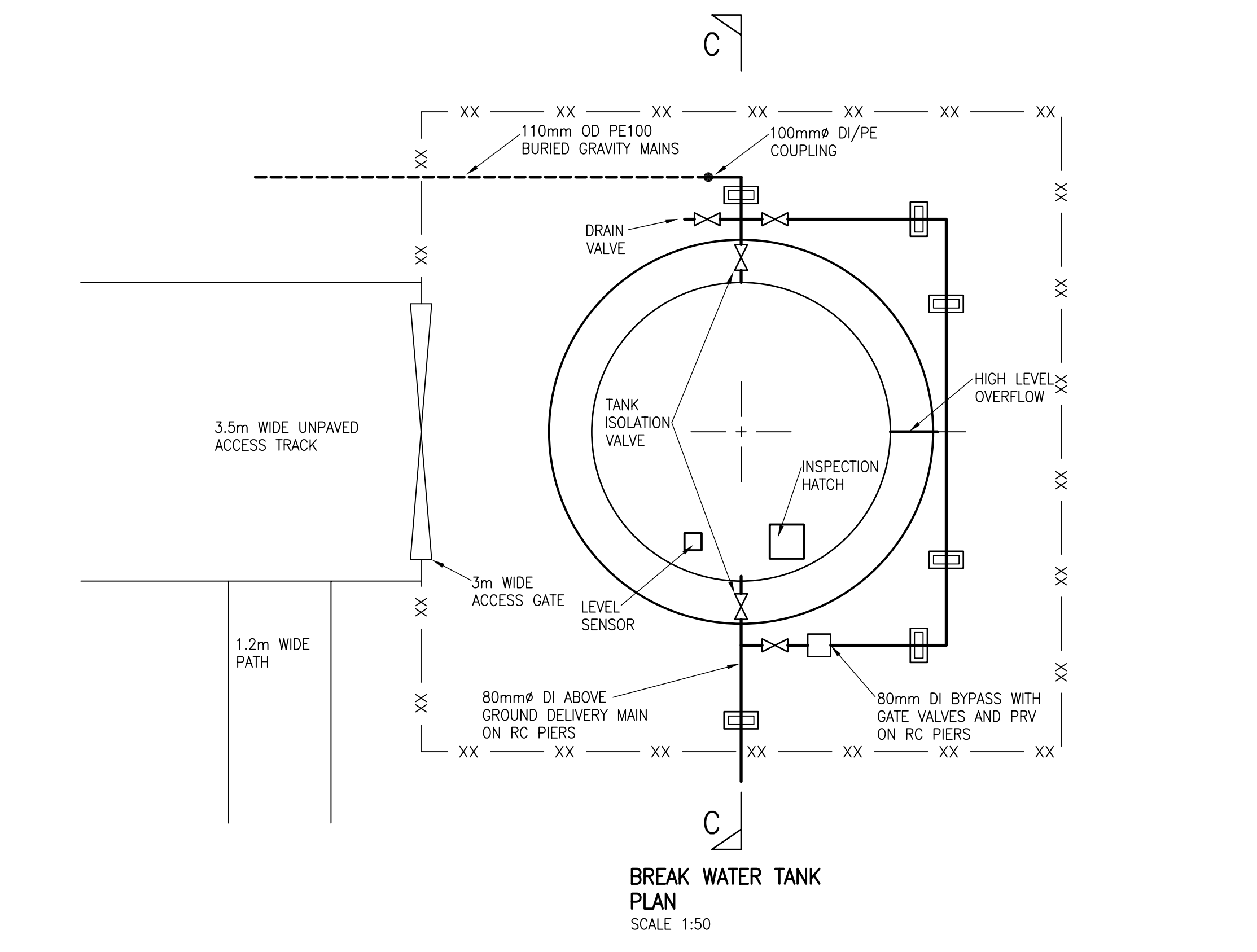
RAW WATER STORAGE TANKS SECTION B-B SCALE 1:50



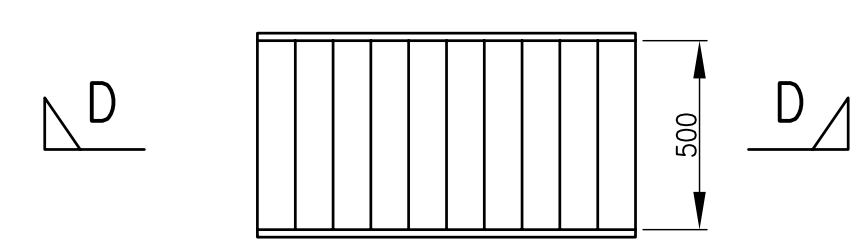
RAW WATER STORAGE TANKS PLAN SCALE 1:50



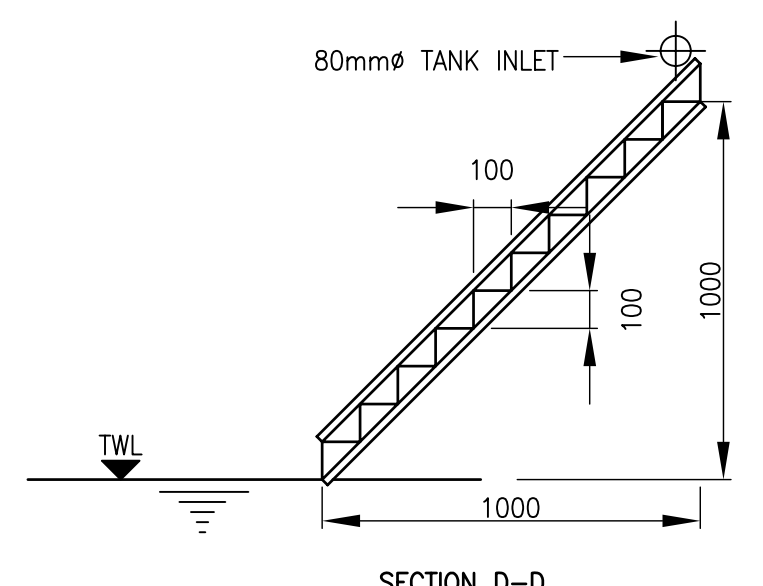
BREAK WATER TANK SECTION C-C SCALE 1:50



BREAK WATER TANK PLAN SCALE 1:50



SPILLWAY DETAIL SCALE 1:20



SECTION D-D

Rev.	Description	By	Date	Chk'd	Auth
B	MINOR REVISIONS	KT	25.07	TJM	RDJ
A	NOTES REVISED. ISSUED FOR TENDER	KT	05.03.07	RDJ	RDJ
Tender		A	05.03.07		RDJ
Pricing and Review		-	26.01.07		RDJ
Code	Purpose of issue	Rev	Date	Authorised	

Client

DFID

Consultant
Atkins Limited
 Consulting Engineers,
 Woodcote Grove,
 Ashley Road,
 Epsom, Surrey, England,
 KT18 5BW

ATKINS
 www: <http://www.atkinsglobal.com>
 Fax (01372) 740055
 Tel. (01372) 726140

Project: St Helena Reference Design

Title: Raw Water Storage and Break Water Tanks

Scale at A1	Drawn	Checked	Authorised	Status	
As Shown	WMS	KWH	RDJ	T	
Date	22.01.07	Date	22.01.07	Date	26.01.07

Drawing Number: 5048976 - CI - 01 - 1047

Rev: B